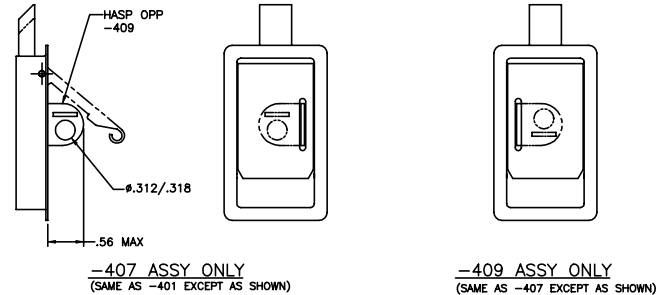
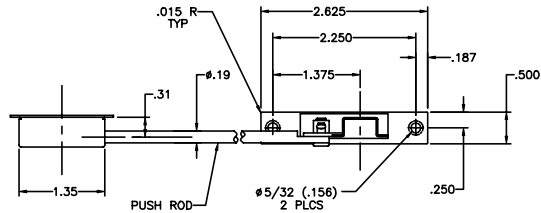
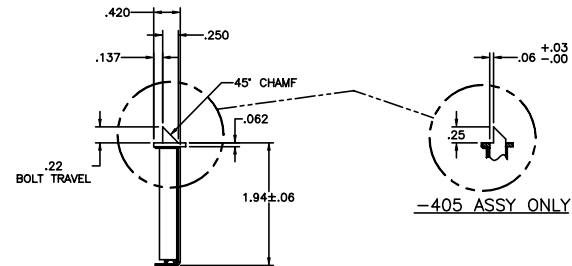
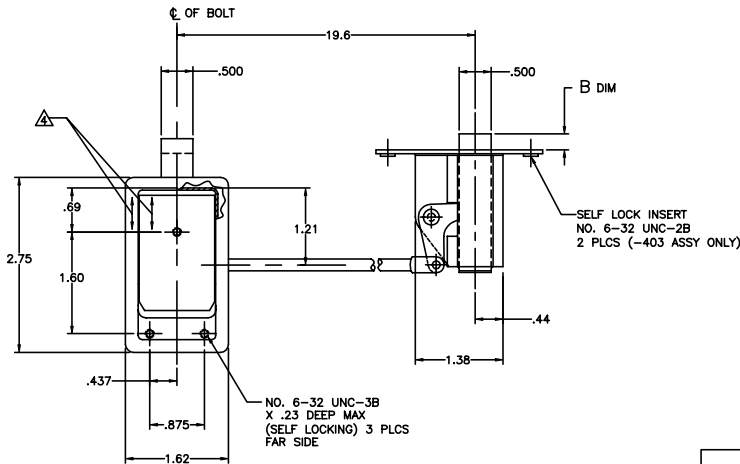
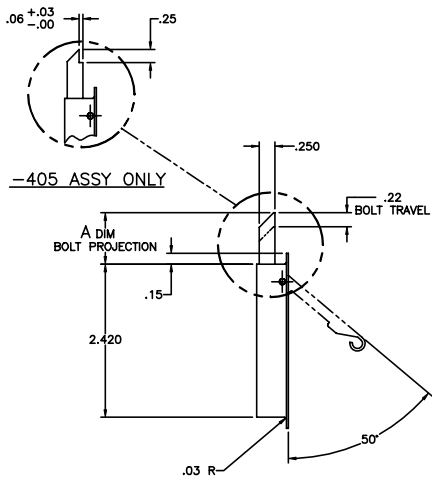


THE INFORMATION AND DESIGN HEREIN WAS ORIGINATED BY AND IS THE PROPERTY OF SKYLOCK INDUSTRIES INCORPORATED. SKYLOCK INDUSTRIES INCORPORATED RESERVES ALL PATENT, PROPRIETARY, DESIGN MANUFACTURING INFORMATION, USE AND SALES RIGHTS HEREIN, AND TO ANY ARTICLES DEVELOPED THEREIN EXCEPT TO THE EXTENT RIGHTS ARE EXPRESSLY GRANTED TO OTHERS. THE FOREGOING DOES NOT APPLY TO NON-PATENTABLE IDEAS.

REVISIONS				
ZONE	LTR	DESCRIPTION	DATE	APPROVED
G		SEE ECN G	-	-



- APPLICABLE TO FAA-PMA REPLACEMENT OR MODIFICATION PARTS ONLY. PER FAR 45.15, PARTS WILL BE IDENTIFIED WITH:
  - FAA-PMA.
  - SKYLOCK IND. INC.
  - PART NO.
  - AIRCRAFT INSTALLATION ELIGIBILITY.

5. THE FOLLOWING STATIC LOAD IS FOR REFERENCE USE ONLY. IT IS PROVIDED FOR CUSTOMER ENGINEERING TO DETERMINE THE GENERAL SUITABILITY OF THE PRODUCT FOR ITS INTENDED USE. ALTHOUGH SKYLOCK IS PROVIDING THE REFERENCE STATIC LOAD, THE CUSTOMER IS ULTIMATELY RESPONSIBLE FOR CERTIFICATION OF THE PRODUCT FOR ITS SPECIFIC APPLICATION. REFERENCE STATIC LOAD: 600 LBS. MAX.

4. SPRING TO HOLD FLAP IN OPEN POSITION WHEN BOLT IS RETRACTED.

DECORATIVE FINISH REF: SATIN BRUSH DIRECTION NOTED.

2. FINISH REF: PASSIVATE PER AMS-QQ-P-35, TYPE VI OR VII.

1. MAT'L REF: RUNNER; NYLON 6/6, ASTM D-4066-PA114, OR EQUIV. ALL OTHER PARTS, 302/304 CRES, COND. A, PER ASTM-A240, OR EQUIV.

REMOVE ALL BURRS AND BREAK SHARP EDGES.

NOTES: UNLESS OTHERWISE SPECIFIED

-401, -403, -405 LATCH ASSY

.25	.81	-409	LATCH ASSEMBLY	120084-409
.25	.81	-407	LATCH ASSEMBLY	120084-407
.25	1.09	-405	LATCH ASSEMBLY	120084-405
.25	.81	-403	LATCH ASSEMBLY	120084-403
.25	.81	-401	LATCH ASSEMBLY	120084-401

BDM	ADIM	PART NO.	DESCRIPTION	MATERIAL	SIZE	APPLICATION	MAKE FROM
UNLESS OTHERWISE SPECIFIED							
DIMENSIONS ARE IN INCHES				DRAWN BY H. FOSTER 3/14/99			
TOLERANCES ON DECIMALS				CHECKED			
ANGLES				ENGINEER			
DRAILED HOLES				MFG.			
DIP SW				S.C.			
AND 10007							
DO NOT SCALE THIS DRAWING							
USED ON 20084				SIZE D			
				CODE IDENT. NO. 51941			
				DRAWING NO. 20084			
				REV. G			
MANUFACTURED IN ACCORDANCE WITH SKYLOCK IND. INC. QUALITY CONTROL MANUAL QC.001				SCALE 1:1			
				SHEET 1 OF 1			

LATCH ASSEMBLY

SKYLOCK INDUSTRIES INCORPORATED  
RANCHOVA CALIFORNIA