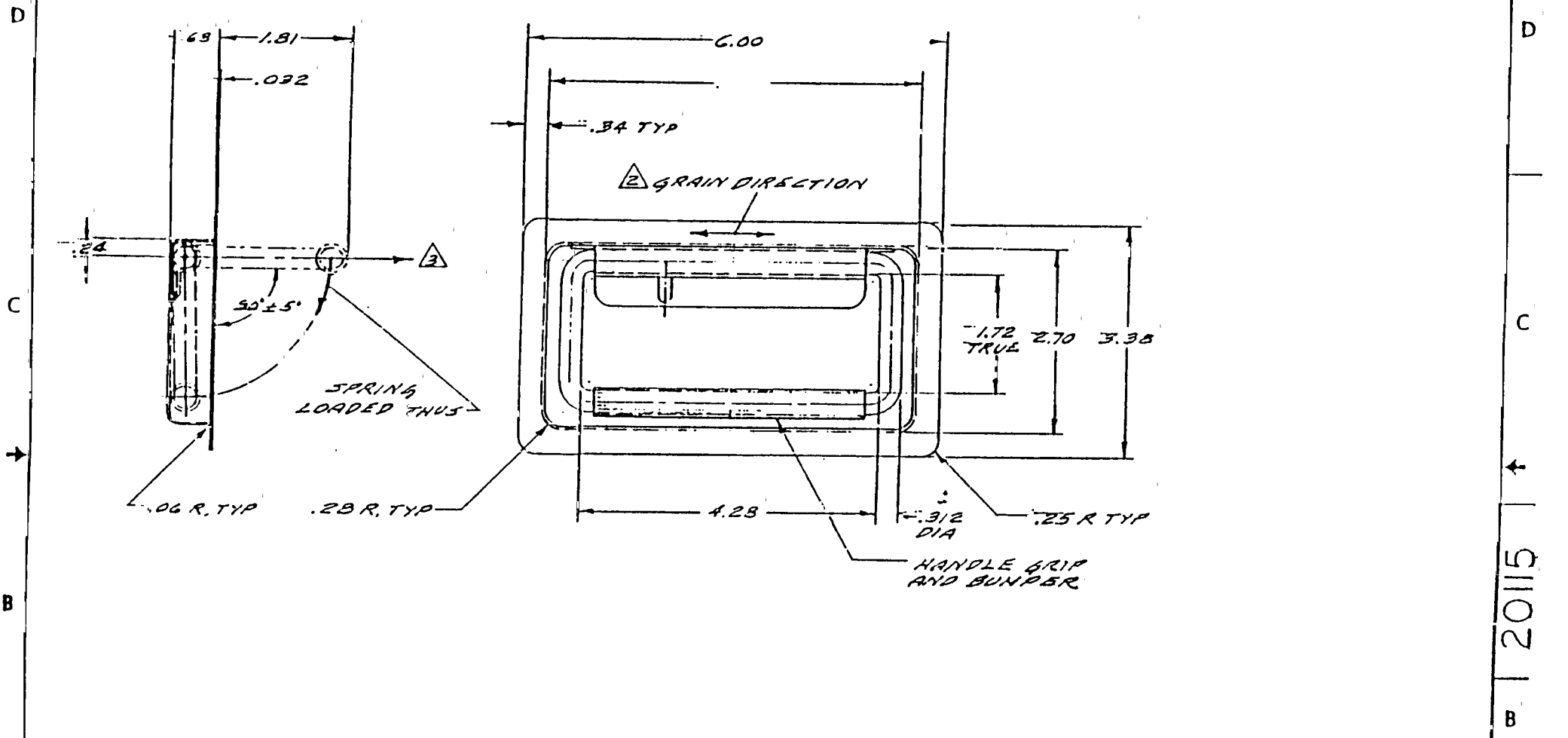


REVISIONS			
SYM	DESCRIPTION	DATE	BY
	EFFECTIVE ON	DISP	EXIST PARTS
			APPROVAL



- ③ LOAD CAPACITY: 700 LBS. MIN.
 - ② FINISH: PASSIVATE, SATIN BRUSH FLANGE, FACE ONLY.
 - ① NATL: 304 CRES. GRIP; NEOPRENE.
- NOTES: UNLESS OTHERWISE SPECIFIED

PART NUMBER	DESCRIPTION	MATERIAL OR NOTE
-1	HANDLE ASSY	① ②

LIST OF MATERIAL		CONTRACT NO.		SKYLOCK INDUSTRIES, INC.	
UNLESS OTHERWISE NOTED DIMENSIONS ARE IN INCHES. TOLERANCES ON DECIMALS XX = .03 XXX = .010 ANGLES ± 0°-30' DRILLED HOLES PER ANSI B92	SURFACE ROUGHNESS	CHECKER	2.E.R.	2-11	74
HEAT TREAT	FINISH	ENGINEER			
INSPECT	NOTED	PROD. APPD			
REF. NO.		APPROVAL			
APPLICATION		SIZE	CODE IDENT NO.	20115	
		SCALE	WT CALC..	WT ACT.	SHEET 1 OF 1

2015