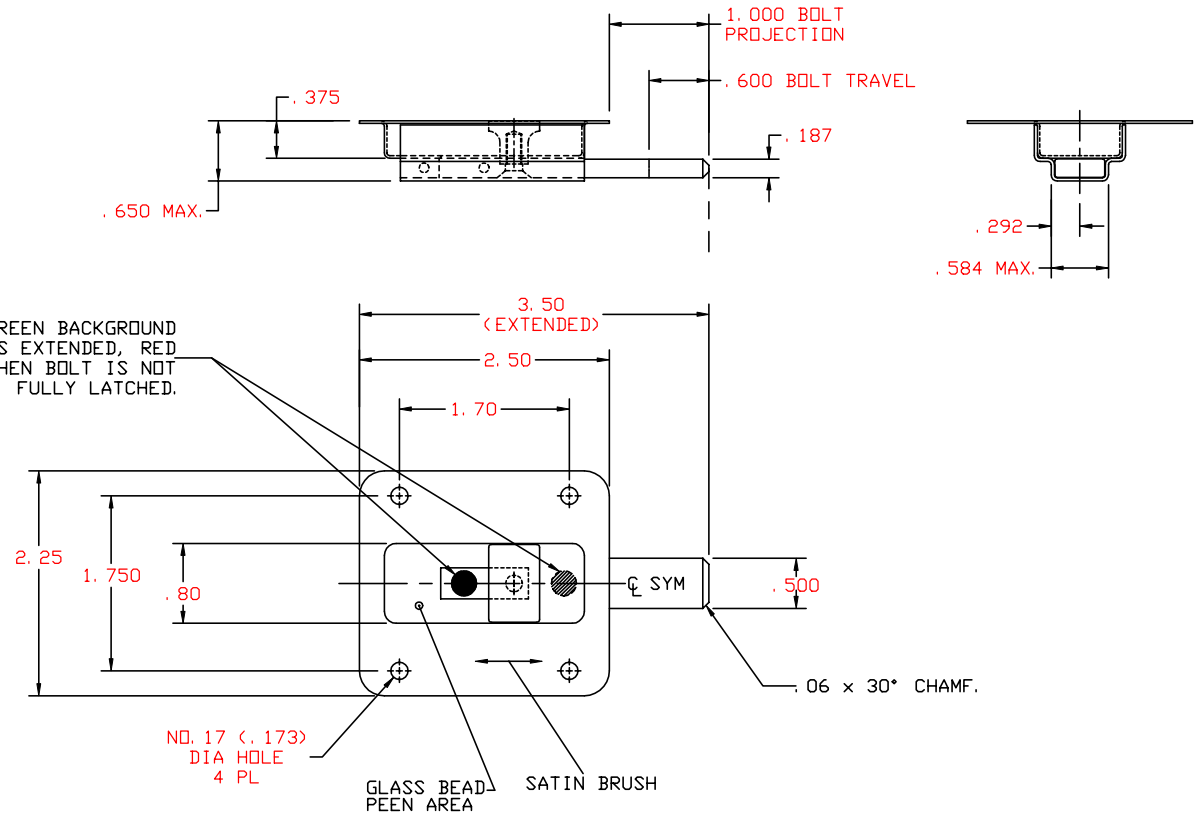


THE INFORMATION AND DESIGN HEREIN WAS ORIGINATED BY AND IS THE PROPERTY OF SKYLOCK INDUSTRIES INCORPORATED. SKYLOCK INDUSTRIES INCORPORATED RESERVES ALL PATENT, PROPRIETARY, DESIGN MANUFACTURING, REPRODUCTION, USE AND SALES RIGHTS THERE TO, AND TO ANY ARTICLE DISCLOSED THEREIN EXCEPT TO THE EXTENT RIGHTS ARE EXPRESSLY GRANTED TO OTHERS. THE FOREGOING DOES NOT APPLY TO VENDOR PROPRIETARY PARTS.

REVISIONS				
ZONE	LTR	DESCRIPTION	DATE	APPROVED
	A	SEE ECN A	9/1/99	ED WELSH



-1 LATCH

4. BOLT IS DETENTED IN EXTENDED AND RETRACTED POSITION
3. DECORATIVE FINISH REF: SATIN BUFF DIRECTION INDICATED; GLASS BEAD PEEN AREA INDICATED USING #70-140 GLASS BEAD MEDIA AT 50-60 PSI.
2. FINISH REF: HANDLE-CLEAR ANODIZE PER MIL-A-8625, TYPE II, CLASS 1. CRES PARTS: PASSIVATE PER AMS-QQ-P-35, TYPE II (303), TYPE VI OR VII (302/304), OR EQUIV.
1. MAT'L REF: HANDLE-6061-T6/T651 PER ASTM B-221, OR EQUIV. ALL OTHER PARTS; 303 CRES, COND. A, PER AMS-5640N OR 302/304 CRES, COND. A, PER ASTM-A240, QQ-S-766, OR EQUIV.

REMOVE ALL BURRS AND SHARP CORNERS.
 NOTES: UNLESS OTHERWISE SPECIFIED

		-1 LATCH		120302-1	
PART NO.	DESCRIPTION	MATERIAL	SIZE	APPLICATION	MAKE FROM
PARTS LIST					
UNLESS OTHERWISE SPECIFIED	DRAWN BY JEE	11-29-78	SKYLOCK INDUSTRIES INCORPORATED MONROVIA CALIFORNIA U. S. A.		
DIMENSIONS ARE IN INCHES	CHECKED L. GARCIA	7/1/99			
TOLERANCES ON	ENGINEER ED WELSH	9/1/99			
DECIMALS ANGLES DRILLED HOLES	MFG P. MATSUOKA	9/2/99			
.X ± .1 ± 0° 30' AND 10387	QC J. VIVIRITO	9/2/99	LATCH		
.XX ± .03					
.XXX ± .010					
DO NOT SCALE THIS DRAWING					
MATERIAL - FINISH	USED ON	SIZE	CODE IDENT. NO.	DRAWING NO.	REV.
		C	51941	20302	A
NEXT ASSY					
MANUFACTURE IN ACCORDANCE WITH SKYLOCK IND. INC., QUALITY CONTROL MANUAL QC 001		SCALE	2:1	VT.	SHEET 1 OF 1