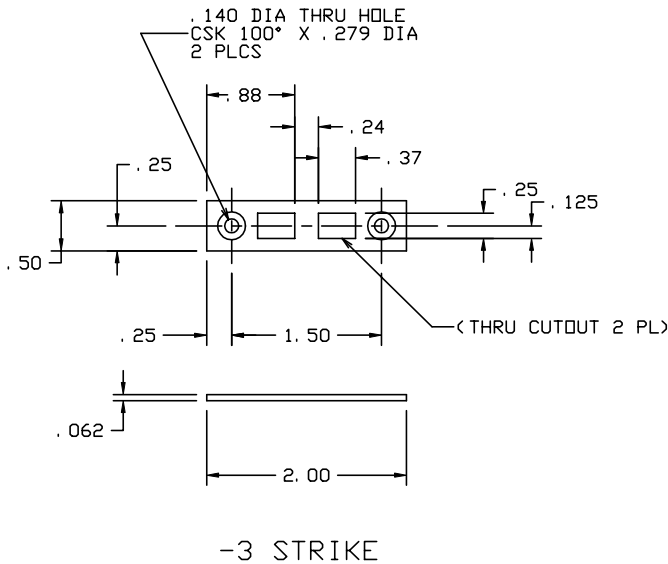
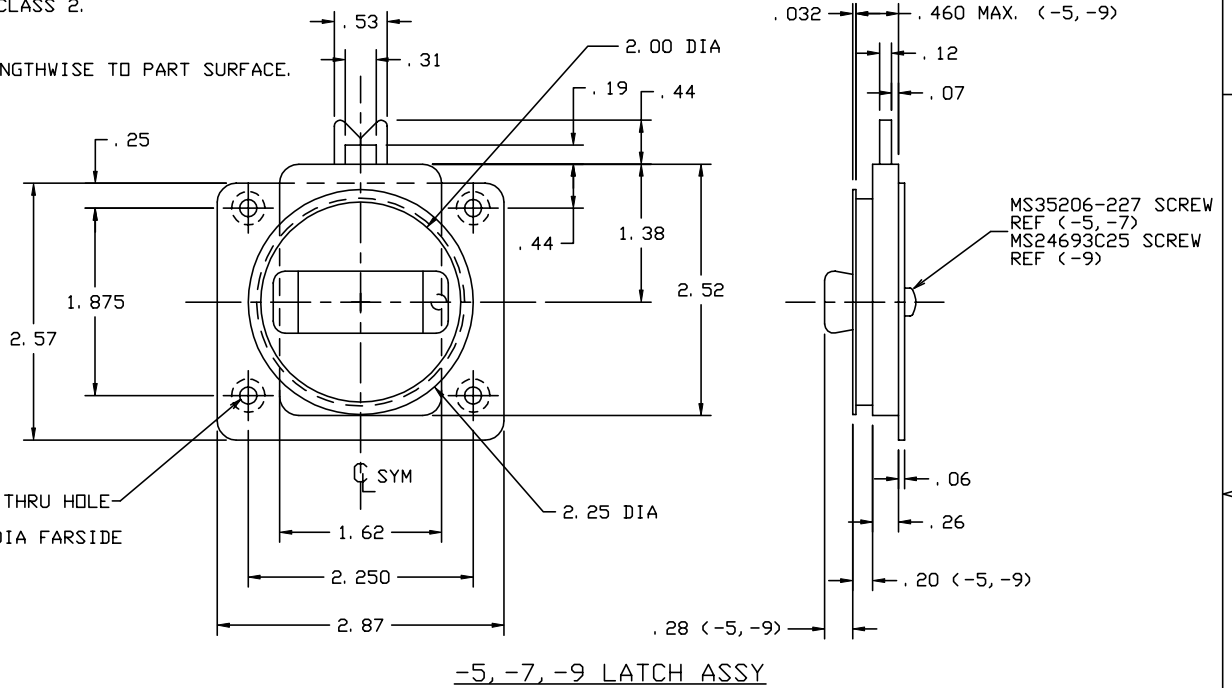


THE INFORMATION AND DESIGN HEREIN WAS ORIGINATED BY AND IS THE PROPERTY OF SKYLOCK INDUSTRIES INCORPORATED. SKYLOCK INDUSTRIES INCORPORATED RESERVES ALL PATENT, PROPRIETARY, DESIGN MANUFACTURING, REPRODUCTION, USE AND SALES RIGHTS THERE TO, AND TO ANY ARTICLE DISCLOSED THEREIN EXCEPT TO THE EXTENT RIGHTS ARE EXPRESSLY GRANTED TO OTHERS. THE FOREGOING DOES NOT APPLY TO VENDOR PROPRIETARY PARTS.

REVISIONS				
ZONE	LTR	DESCRIPTION	DATE	APPROVED
	H	REVISED AND REDRAWN	9-23-92	T. CSIK
	J	ADDED -409/-11/-13, SHT. 2	6-3-97	T. CSIK
	K	-13 STRIKE, REVISED THICKNESS: IS .090 WAS .062	12-8-97	T. CSIK
	L	SEE ECN L	12/31/98	T. CSIK
	M	SEE ECN M		

NOTES: UNLESS OTHERWISE SPECIFIED.

- REMOVE ALL BURRS AND BREAK SHARP EDGES.
- MAT'L REF.: HANDLE, ESCUTCHEON & LATCH; 2024-T3/T351 PER ASTM B-209, OR EQUIV. SPINDLE & STRIKE; 300 SERIES CRES, PER AMS-5640N OR EQUIV. BOLT; E4130 ALLOY STL, OR EQUIV.
- FINISH REF.: ALUM.; CLEAR ANODIZE PER MIL-1-8625, TYPE II, CLASS 1. CRES; PASSIVATE PER AMS-QQ-P-35, TYPE II. ALLOY STL.; CAD. PLATE PER QQ-P-416, TYPE II, CLASS 2.
- BOLT JAWS OPEN BY ROTATING HANDLE EITHER DIRECTION.
- DECORATIVE FINISH REF.: ESCUTCHEON & HANDLE; SATIN BRUSH LENGTHWISE TO PART SURFACE.
- HEAT TREAT BOLT TO 45-50 K. S. I. PER MIL-H-6875.
- APPLICABLE TO FAA-PMA REPLACEMENT OR MODIFICATION PARTS ONLY. PER FAR 45.15, PARTS WILL BE IDENTIFIED WITH:
 - FAA-PMA.
 - SKYLOCK IND. INC.
 - PART NO.
 - AIRCRAFT INSTALLATION ELIGIBILITY.



QTY	PART NO.	DESCRIPTION	MATERIAL	SIZE	SPECIFICATION	MAKE FROM				
1	-13	STRIKE		<SHT. 2>		120365-13				
1	-11	LATCH ASSY		<SHT. 2>		120365-11				
1	-9	LATCH ASSY				120365-9				
1	-7	LATCH ASSY				120365-7				
1	-5	LATCH ASSY				120365-5				
1	-3	STRIKE				120365-3				
1	-1	OBSELETE								
-409	-407	-405	-403	-401	PART NO.	DESCRIPTION	MATERIAL	SIZE	SPECIFICATION	MAKE FROM

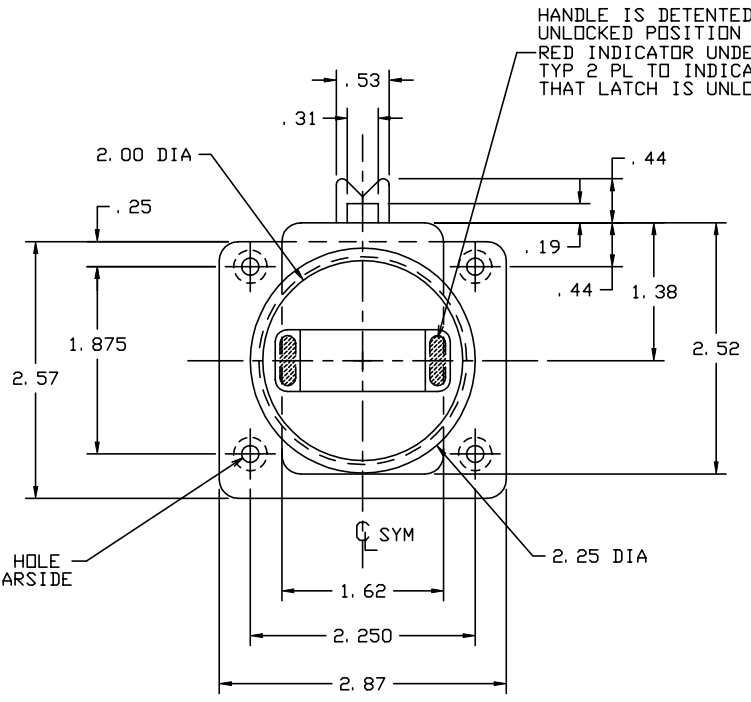
PARTS LIST		DRAWN BY		M. F.		8-11-81	
UNLESS OTHERWISE SPECIFIED		CHECKED		DEAN VO		12/29/98	
DIMENSIONS ARE IN INCHES		ENGINEER		T. CSIK		12/31/98	
TOLERANCES ON		MFG		P. MATSUOKA		1/6/99	
DECIMALS		QC		J. VIVIRITO		1/12/99	
ANGLES							
DRILLED HOLES							
.X ± .1							
.XX ± .03							
.XXX ± .010							
DO NOT SCALE THIS DRAWING							
MATERIAL - FINISH				USED ON		SIZE	
NEXT ASSY						C 51941	
MANUFACTURE IN ACCORDANCE WITH SKYLOCK IND. INC., QUALITY CONTROL MANUAL QC.001				SCALE		1: 1	
				VT.		SHEET 1 OF 2	

LATCH ASSY

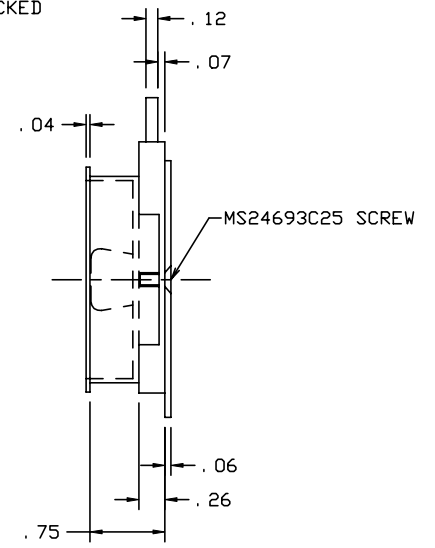
MONROVIA CALIFORNIA U.S.A.

THE INFORMATION AND DESIGN HEREIN WAS ORIGINATED BY AND IS THE PROPERTY OF SKYLOCK INDUSTRIES INCORPORATED. SKYLOCK INDUSTRIES INCORPORATED RESERVES ALL PATENT, PROPRIETARY, DESIGN MANUFACTURING, REPRODUCTION, USE AND SALES RIGHTS THERE TO, AND TO ANY ARTICLE DISCLOSED THEREIN EXCEPT TO THE EXTENT RIGHTS ARE EXPRESSLY GRANTED TO OTHERS. THE FOREGOING DOES NOT APPLY TO VENDOR PROPRIETARY PARTS.

REVISIONS				DATE	APPROVED
ZONE	LTR	DESCRIPTION			
		SEE SHT. 1 FOR NOTES			

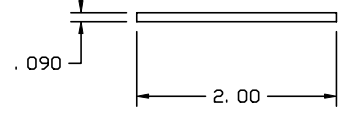
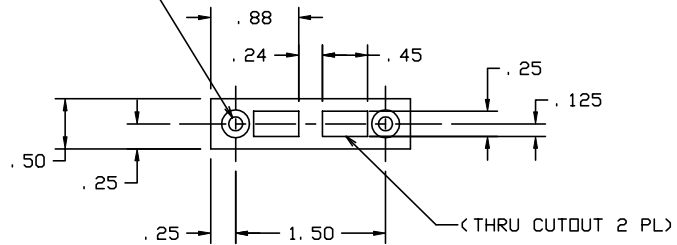


HANDLE IS DETENTED IN UNLOCKED POSITION ONLY. RED INDICATOR UNDER HANDLE TYP 2 PL TO INDICATE THAT LATCH IS UNLOCKED




11/64 (.172) DIA THRU HOLE
 CSK 100° X .334 DIA FAR SIDE
 4 PLCS

.140 DIA THRU HOLE
 CSK 100° X .279 DIA
 2 PLCS



-11 LATCH ASSY

-13 STRIKE

 SKYLOCK INDUSTRIES INCORPORATED MONROVIA CALIFORNIA U. S. A.			
LATCH ASSY			
SIZE C	CODE IDENT. NO. 51941	DRAWING NO. 20365	REV. M
SCALE 1: 1	VT.	SHEET 2	OF 2