

4

3

2

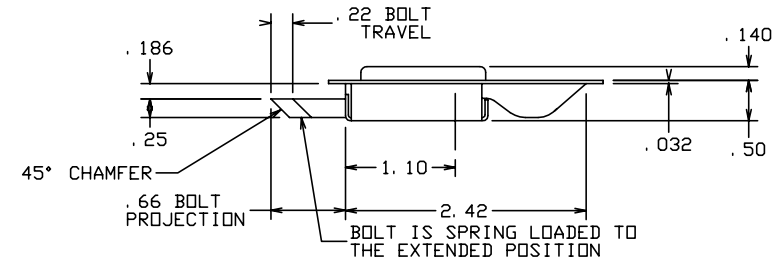
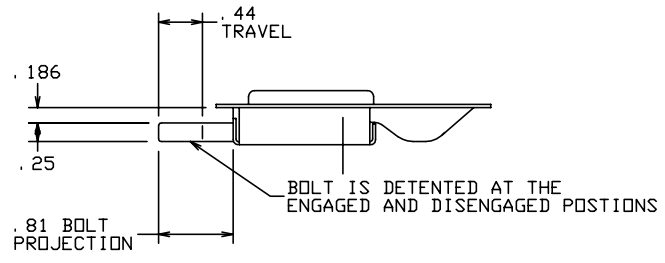
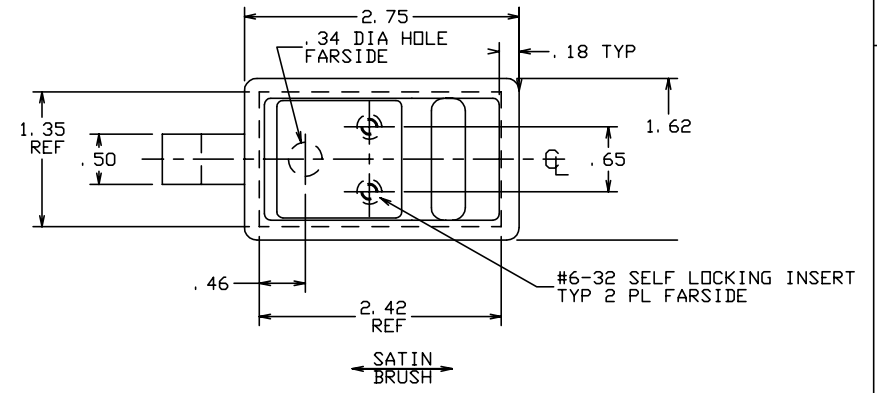
1

THE INFORMATION AND DESIGN HEREIN WAS ORIGINATED BY AND IS THE PROPERTY OF SKYLOCK INDUSTRIES INCORPORATED. SKYLOCK INDUSTRIES INCORPORATED RESERVES ALL PATENT, PROPRIETARY, DESIGN MANUFACTURING, REPRODUCTION, USE AND SALES RIGHTS THERE TO, AND TO ANY ARTICLE DISCLOSED THEREIN EXCEPT TO THE EXTENT RIGHTS ARE EXPRESSLY GRANTED TO OTHERS. THE FOREGOING DOES NOT APPLY TO VENDOR PROPRIETARY PARTS.

REVISIONS				
ZONE	LTR	DESCRIPTION	DATE	APPROVED
	B	REDRAWN	6-11-96	T. CSIK


NOTES: UNLESS OTHERWISE SPECIFIED.

- MAT'L: BLOCK: 6061-T6 ALUM. ALLOY, ALL OTHER COMP'S: 300 SERIES CRES.
- FINISH: ALUM.: CLEAR ANODIZE, CRES: PASSIVATE.
- DECORATIVE FINISH: SATIN BRUSH.
- NOMINAL LOAD POINT IS .250" FROM TIP OF BOLT. STATIC LOAD IS 600 LBS. MAX. AT NOMINAL LOAD POINT. LATCHES WITH BOLT PROJECTION LONGER THAN .37" REQUIRE REINFORCEMENT IN PANEL/DOOR EDGE TO SUPPORT BOLT LENGTH.



-3 LATCH ASSY (DEADBOLT)
(S/A -1 EXCEPT AS SHOWN)

-1 LATCH ASSY (SLAM)

	-3	LATCH ASSY	(DEADBOLT)		
	-1	LATCH ASSY	(SLAM)		
PART NO.	DESCRIPTION				
PARTS LIST					
UNLESS OTHERWISE SPECIFIED	DRAWN BY T. S.	10-20-87	 SKYLOCK INDUSTRIES INCORPORATED MONROVIA CALIFORNIA U. S. A.		
DIMENSIONS ARE IN INCHES	CHECKED				
TOLERANCES ON	ENGINEER				
DECIMALS ANGLES DRILLED HOLES	PROJECT				
.X ± .1 ± 0° 30' AND 10387	APPROVAL D. SHORT	10-20-87	LATCH ASSEMBLY		
.XX ± .03 .XXX ± .010	APPROVAL				
DO NOT SCALE THIS DRAWING	USED ON	SIZE	CODE IDENT. NO.	DRAWING NO.	REV.
MATERIAL - FINISH		C	51941	20604	B
NEXT ASSY		SCALE	1: 1	VT.	SHEET 1 OF 1
FINAL ASSY					

4

3

2

1