

THE INFORMATION AND DESIGN HEREIN WAS ORIGINATED BY AND IS THE PROPERTY OF SKYLOCK INDUSTRIES INCORPORATED. SKYLOCK INDUSTRIES INCORPORATED RESERVES ALL PATENT, PROPRIETARY, DESIGN MANUFACTURING, REPRODUCTION, USE AND SALES RIGHTS THERETO, AND TO ANY ARTICLE DISCLOSED THEREIN EXCEPT TO THE EXTENT RIGHTS ARE EXPRESSLY GRANTED TO OTHERS. THE FOREGOING DOES NOT APPLY TO VENDOR PROPRIETARY PARTS.

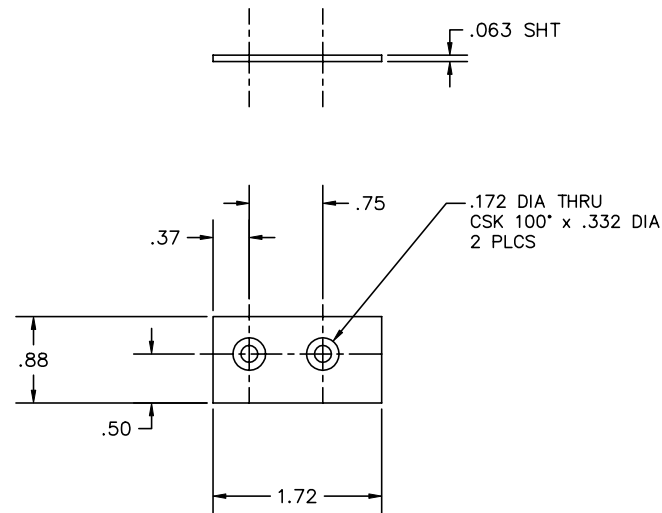
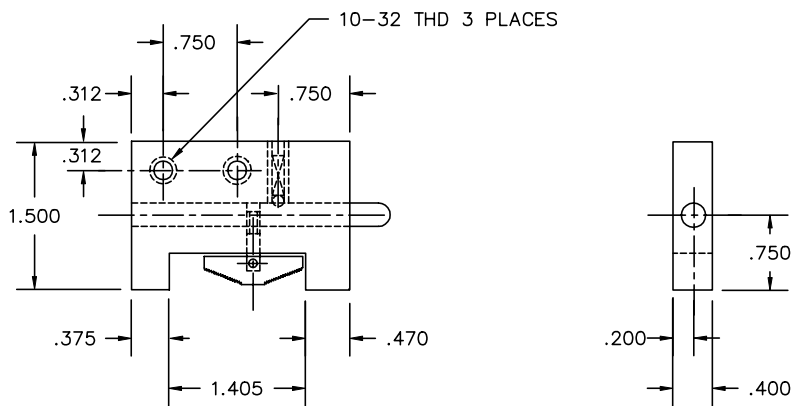
REVISIONS				
ZONE	LTR.	DESCRIPTION	DATE	APPROVED
	B	ADDED -3 AND -4	8.20.93	SC

NOTES: UNLESS OTHERWISE SPECIFIED

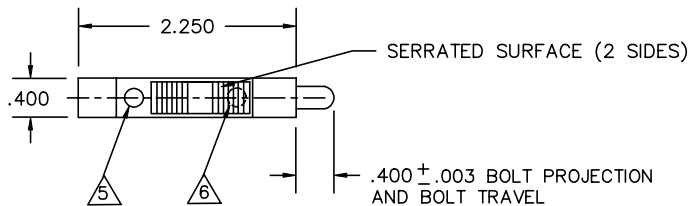
- REMOVE ALL BURRS AND SHARP EDGES
- MATERIAL: HOUSING, HANDLE AND BACKPLATE; 6061-T6 ALUM.  
ALL OTHER PARTS; SERIES 300 CRES
- FINISH: ALUM; CLEAR ANODIZE  
ALL OTHER PARTS; PASSIVATE
- LATCH IS DETENTED IN EXTENDED AND RETRACTED POSITIONS.

5. GREEN DOT IS VISIBLE WHEN BOLT IS EXTENDED

6. RED DOT IS VISIBLE WHEN BOLT IS RETRACTED



-3 BACKPLATE SHOWN



	-4	BACKPLATE	(OPP)	
	-3	BACKPLATE	(SHOWN)	
	-401	LATCH ASSY		
QTY. REQ'D	PART / IDENT NO.	DESCRIPTION	MATERIAL / SPECIFICATION	ITEM NO.
UNLESS OTHERWISE SPECIFIED: DIMENSIONS ARE IN INCHES		CONTRACT NO.	 SKYLOCK INDUSTRIES INCORPORATED MONROVIA, CALIFORNIA, USA	
TOLERANCES		CUSTOMER		
DECIMALS	.XX ± .03	ANGULAR	± 0 30'	
	.XXX ± .010			
DO NOT SCALE DRAWING		DRAWN BY	DATE	
		J.L.		
		CHECK		
NEXT ASSY		FINAL ASSY	DESIGN	
USED ON		DESIGN ACTIVITY	SIZE	REV.
			C	B
FINISH		ACT WT	CALC WT	
		SCALE	1/1	
		RELEASE DATE		
		SHEET	1 OF 1	

LATCH ASSY

20621

DRAWING NO. SHEET OF