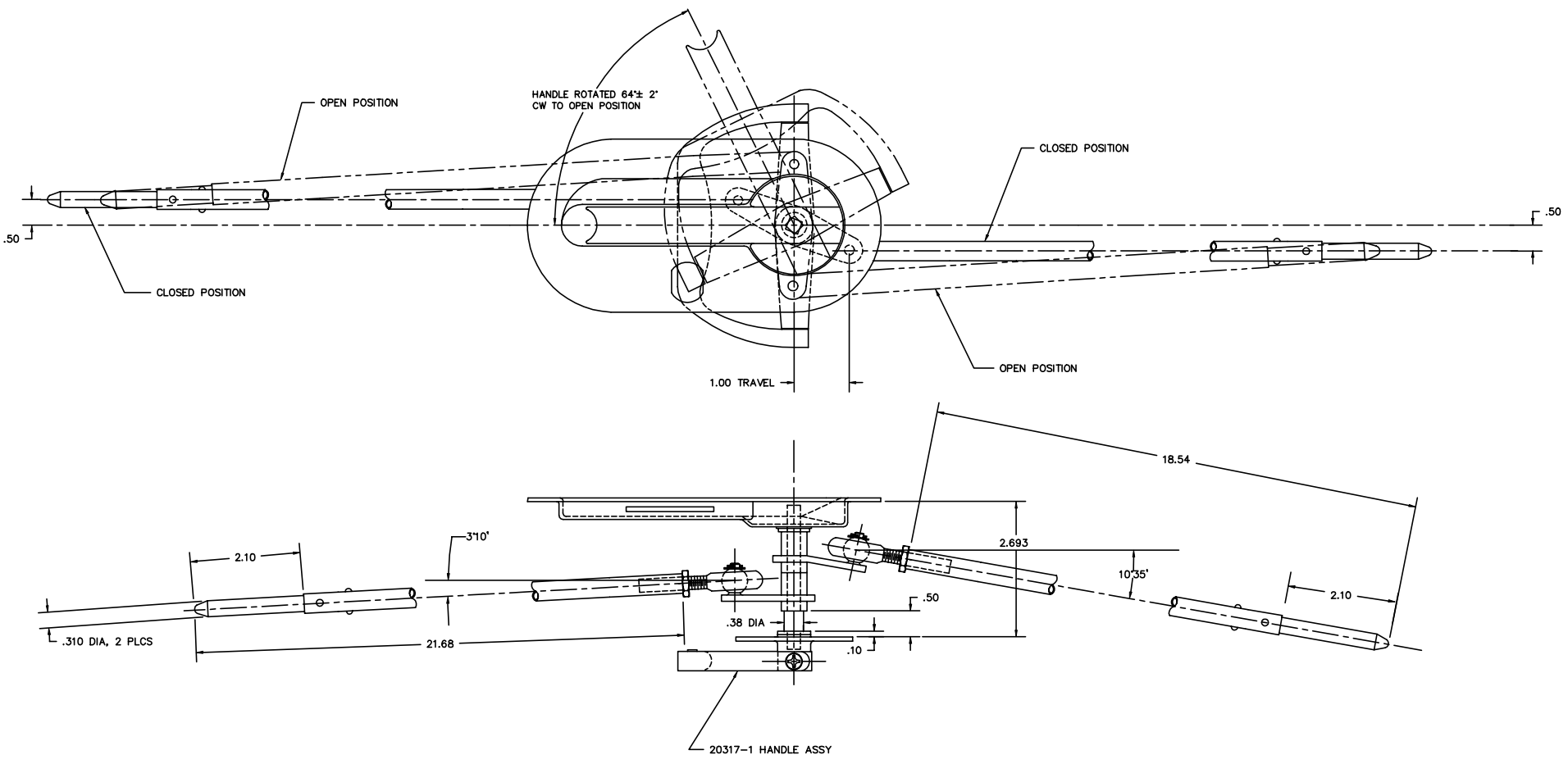


THIS INFORMATION AND DESIGN HEREIN ARE ORIGINATED BY AND IS THE PROPERTY OF SKYLOCK INDUSTRIES INCORPORATED. SKYLOCK INDUSTRIES INCORPORATED RESERVES ALL RIGHTS, INCLUDING DESIGN MANUFACTURING APPROVED, USE, AND SALES RIGHTS HEREIN, AND TO ANY PATENT, DESIGN, TRADE SECRET OR TO THE EXTENT RIGHTS ARE EXPRESSLY GRANTED TO OTHERS, THE FOREGOING DOES NOT APPLY TO VENDOR PROPRIETARY PARTS.

REVISIONS				
ZONE	LR	DESCRIPTION	DATE	APPROVED
NC		PRODUCTION RELEASE	3/17/90	SC



- 7 DECORATIVE FINISH (20317-1 HANDLE ASSY): ON VISIBLE SURFACES, AS INSTALLED, TO BE SATIN BRUSH AND CLEAR ANODIZE PER MIL-A-8625
- 6 FINISH: POLYAMIDE EPOXY PRIMER PER MIL-P-23377 ONE COAT ONLY
- 4 HANDLES ARE SPRING LOADED DOWN.
- 3 KEYING: SPECIFIED ON ORDER (OPTIONAL)
- △ FINISH: ALUM PARTS: ANODIZE PER MIL-A-8625, TYPE 1; CRES PARTS: CLEAN AND PASSIVATE PER MIL-S-5002
- △ MAT'L: SUPPORTS AND TUBES: 2024-T4 ALUM ALLOY; BOLTS AND BELLCRANKS: 17-4 PH CRES; BUSHING: NYLON 6/6; HANDLE ASSY(20317-1): ALUM ALLOY; ALL OTHER PARTS: CRES
- 1. REMOVE ALL BURRS AND BREAK SHARP EDGES.
- NOTES: UNLESS OTHERWISE SPECIFIED.

QTY REQD		PART / IDENT NO.		DESCRIPTION		MATERIAL / SPECIFICATION		REV
		-401		LATCH ASSY				
UNLESS OTHERWISE SPECIFIED: DIMENSIONS ARE IN INCHES TOLERANCES DECIMALS ANGULAR JOB # 30 1 OF 30 JOB # 300 1 OF 300 DO NOT SCALE DRAWING				CONTRACT NO.		SKYLOCK INDUSTRIES INCORPORATED MONROVIA, CALIFORNIA, USA		
DRAWN BY S. CSIK				CHECK S. CSIK		LATCH ASSEMBLY, LITTER DOOR - SPECIAL		
DESIGN DLS				DESIGN ACTIVITY CUSTOMER		REV. NC		
NOTED				SCALE 1/1		RELEASE DATE 3/17/90 SHEET 1 OF 1		

PAGE 1 OF 1 20675