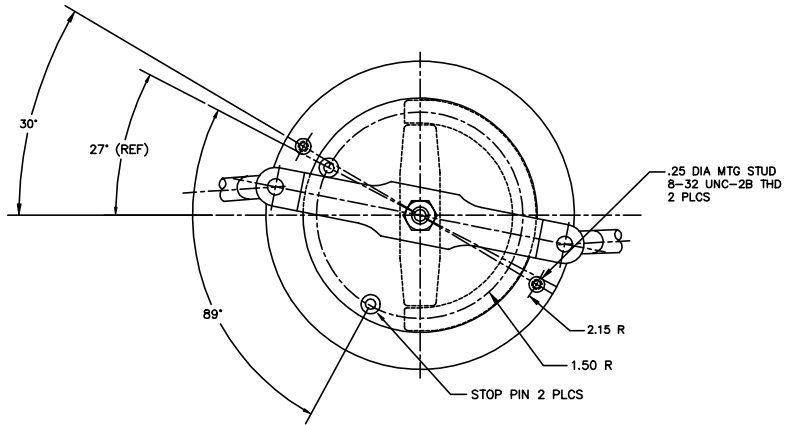
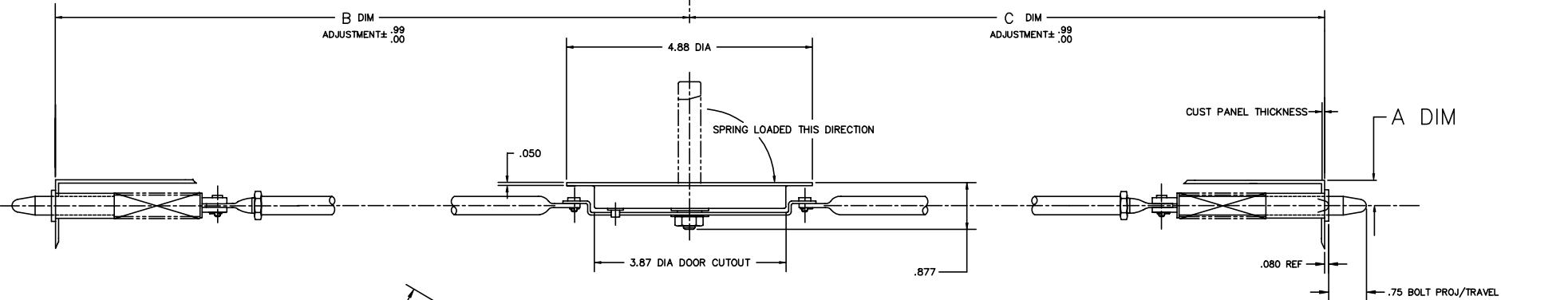
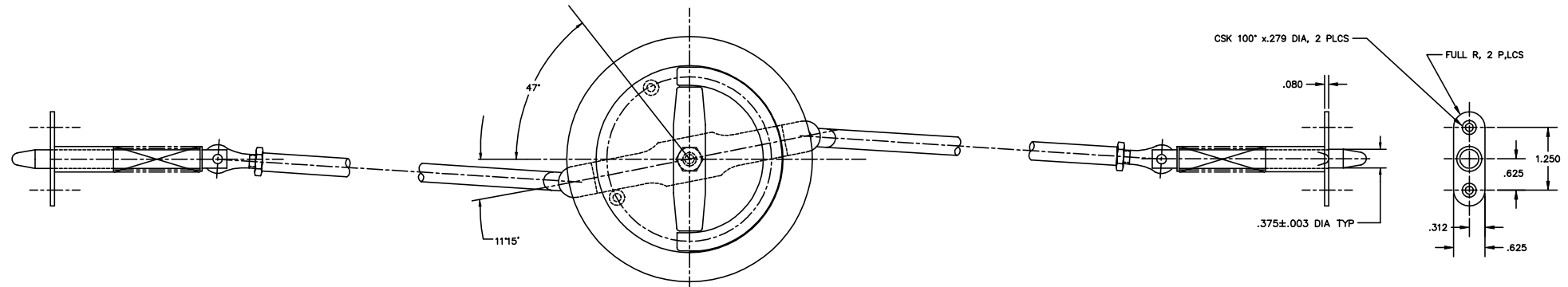




ALL INFORMATION AND DESIGN HEREIN ARE OWNED BY AND IS THE PROPERTY OF SKYLOCK INDUSTRIES INCORPORATED. NO PARTS OR INFORMATION HEREIN ARE TO BE REPRODUCED, COPIED, OR TRANSMITTED IN ANY FORM OR BY ANY MEANS, ELECTRONIC OR MECHANICAL, INCLUDING PHOTOCOPYING, RECORDING, OR BY ANY INFORMATION STORAGE AND RETRIEVAL SYSTEM, WITHOUT THE WRITTEN PERMISSION OF SKYLOCK INDUSTRIES INCORPORATED. THE INFORMATION CONTAINED HEREIN IS UNCLASSIFIED EXCEPT TO THE EXTENT INDICATED OTHERWISE. ALL RIGHTS ARE RESERVED. THE INFORMATION CONTAINED HEREIN IS UNCLASSIFIED EXCEPT TO THE EXTENT INDICATED OTHERWISE.

REVISIONS:			
ZONE	LR	DESCRIPTION	DATE
		SEE SHT 1 FOR NOTES	



QTY REQD	PART / EDIT NO.	DESCRIPTION	MATERIAL / SPECIFICATION	REV NO.
.92	-412	BOLTING SYS	CCW	
.92	-411	BOLTING SYS	CW	
.70	-410	BOLTING SYS	CCW	
.70	-409	BOLTING SYS	CW	
.36	-408	BOLTING SYS	CCW	
.36	-407	BOLTING SYS	CW	

UNLESS OTHERWISE SPECIFIED: DIMENSIONS ARE IN INCHES		CONTRACT NO.		 <b>SKYLOCK INDUSTRIES INCORPORATED</b> MONROVIA, CALIFORNIA, USA
TOLERANCES	ANGLES	DRAWN BY		
JOB # 50	1 OF 30'	S. CSIK		<b>DOOR BOLTING SYSTEM</b>
JOB Y AND	DO NOT SCALE DRAWING	CHECK		
NEXT ASST	FINAL ASST	DESIGN		SIZE FROM NO. DRAWING NO. REV. <b>D 51941 20700 B</b>
USED ON		S. CSIK		
DESIGN ACTIVITY		DLS		SCALE NONE   RELEASE DATE 7.26.90   SHEET 2 OF 2
PERM	ACT BY	CUSTOMER		