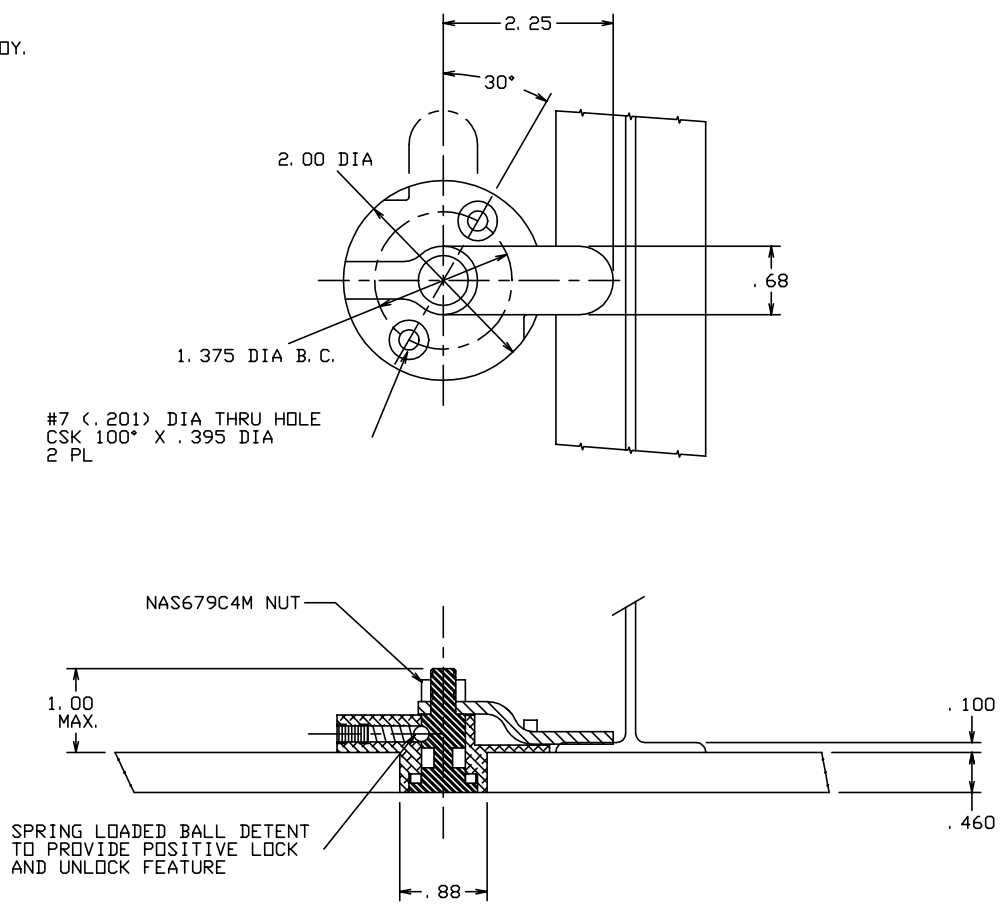



THE INFORMATION AND DESIGN HEREIN WAS ORIGINATED BY AND IS THE PROPERTY OF SKYLOCK INDUSTRIES INCORPORATED. SKYLOCK INDUSTRIES INCORPORATED RESERVES ALL PATENT, PROPRIETARY, DESIGN MANUFACTURING, REPRODUCTION, USE AND SALES RIGHTS THERE TO, AND TO ANY ARTICLE DISCLOSED THEREIN EXCEPT TO THE EXTENT RIGHTS ARE EXPRESSLY GRANTED TO OTHERS. THE FOREGOING DOES NOT APPLY TO VENDOR PROPRIETARY PARTS.

| REVISIONS |     |                    |         |          |
|-----------|-----|--------------------|---------|----------|
| ZONE      | LTR | DESCRIPTION        | DATE    | APPROVED |
|           | NC  | PRODUCTION RELEASE | 7-24-92 | T. CSIK  |
|           | A   | ADDED -403         | 9-29-95 | T. CSIK  |

- NOTES: UNLESS OTHERWISE SPECIFIED.
1. REMOVE ALL BURRS AND BREAK SHARP EDGES.
  2. MAT'L: STUD AND CAM; ST. STL., HOUSING; ALUM. ALLOY, SPACER (-403 ONLY); 6061-T6 ALUM. ALLOY.
  3. FINISH: ST. STL.; PASSIVATE, ALUM.; CLEAR ANODIZE.



|                               | -403     | LATCH ASSY  | (SHT. 2) |                 |   |              |
|-------------------------------|----------|-------------|----------|-----------------|---|--------------|
|                               | -401     | LATCH ASSY  |          |                 |   |              |
| QTY REQD                      | PART NO. | DESCRIPTION | MATERIAL | SIZE            | SPECIFICATION   | ITEM NO.     |
| PARTS LIST                    |          |             |          |                 |   |              |
| UNLESS OTHERWISE SPECIFIED    |          | DRAWN BY    | T. CSIK  | 7-24-92         |  SKYLOCK INDUSTRIES INCORPORATED<br>MONROVIA CALIFORNIA U. S. A. |              |
| DIMENSIONS ARE IN INCHES      |          | CHECKED     |          |                 |   |              |
| TOLERANCES ON                 |          | ENGINEER    |          |                 |   |              |
| DECIMALS ANGLES DRILLED HOLES |          | PROJECT     |          |                 |   |              |
| .X ± .1 ± 0° 30' AND 10387    |          | APPROVAL    | T. CSIK  | 7-24-92         | LATCH ASSY<br>CEILING PANEL   |              |
| .XX ± .03                     |          | APPROVAL    |          |                 |   |              |
| .XXX ± .010                   |          |             |          |                 |   |              |
| DO NOT SCALE THIS DRAWING     |          |             |          |                 |   |              |
| MATERIAL - FINISH             |          | USED ON     | SIZE     | CODE IDENT. NO. | DRAWING NO.   | REV.         |
| NEXT ASSY                     |          |             | C        | 51941           | 20780   | A            |
| FINAL ASSY                    |          |             | SCALE    | 1: 1            | VT.   | SHEET 1 OF 2 |

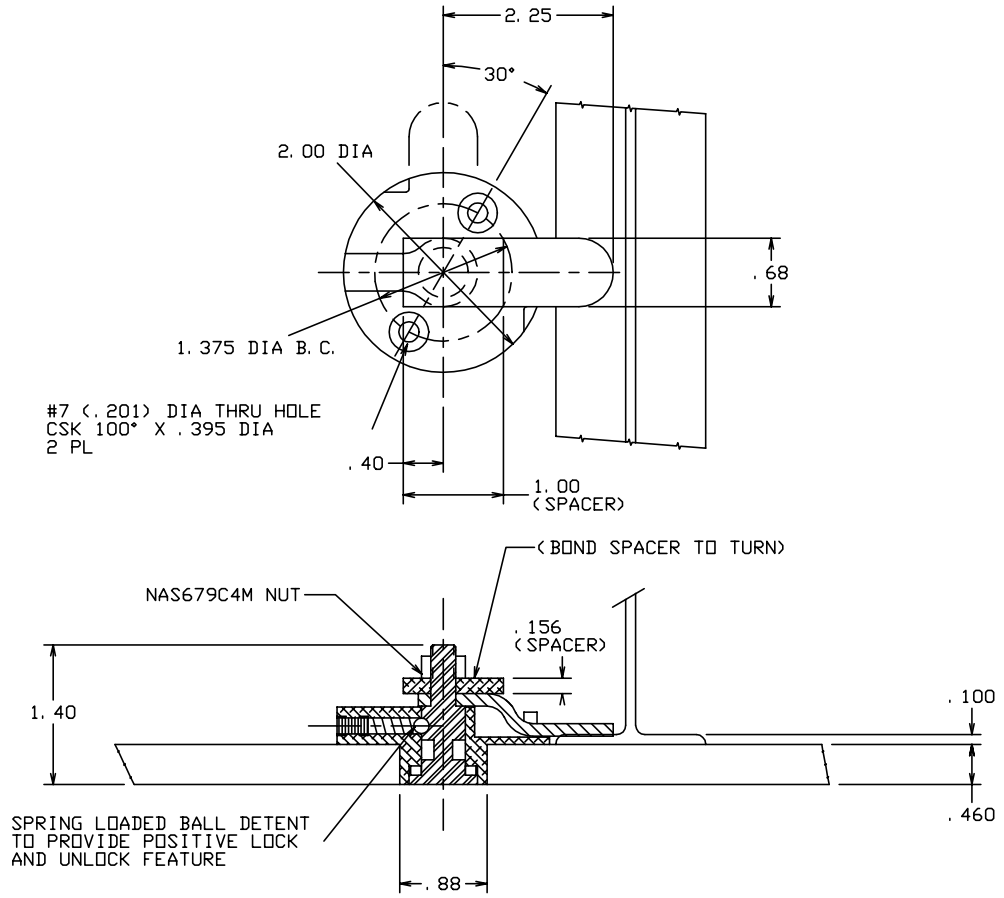
4

3


2

1

| REVISIONS |     |                      |      |          |
|-----------|-----|----------------------|------|----------|
| ZONE      | LTR | DESCRIPTION          | DATE | APPROVED |
|           |     | SEE SHT. 1 FOR NOTES |      |          |



-403 LATCH ASSY

|   |                          |                      |           |
|---|--------------------------|----------------------|-----------|
|  SKYLOCK INDUSTRIES INCORPORATED<br>MONROVIA CALIFORNIA U. S. A. |                          |                      |           |
| LATCH ASSY<br>CEILING PANEL   |                          |                      |           |
| SIZE<br>C   | CODE IDENT. NO.<br>51941 | DRAWING NO.<br>20780 | REV.<br>A |
| SCALE<br>1: 1   | VT.                      | SHEET<br>2           | OF<br>2   |

4

3

2

1