

THE INFORMATION AND DESIGN HEREIN WAS ORIGINATED BY AND IS THE PROPERTY OF SKYLOCK INDUSTRIES INCORPORATED. SKYLOCK INDUSTRIES INCORPORATED RESERVES ALL PATENT, PROPRIETARY, DESIGN MANUFACTURING, REPRODUCTION, USE AND SALES RIGHTS THERE TO, AND TO ANY ARTICLE DISCLOSED THEREIN EXCEPT TO THE EXTENT RIGHTS ARE EXPRESSLY GRANTED TO OTHERS. THE FOREGOING DOES NOT APPLY TO VENDOR PROPRIETARY PARTS.


REVISIONS				
ZONE	LTR	DESCRIPTION	DATE	APPROVED
	NC	PRODUCTION RELEASE	3-4-93	T. CSIK
	A	ADDED -13 THRU -16	3-26-98	T. CSIK

NOTES: UNLESS OTHERWISE SPECIFIED.

1. REMOVE ALL BURRS AND BREAK SHARP EDGES.
2. MAT'L: RETAINER; ALUM. ALLOY,
ALL OTHER PARTS; 300 SERIES CRES,
SCREW: ALLOY STL.
3. FINISH: ALUM.; ANODIZE, CRES PARTS; PASSIVATE.
4. DECORATIVE FINISH: SATIN BUFF AND CLEAR ANODIZE.
5. DECORATIVE FINISH: BRIGHT BUFF AND CANDY APPLE RED ANODIZE.
6. ROTATION: 90° LEFT HAND, DETENTED AT EACH 90°.
7. ROTATION: 90° RIGHT HAND, DETENTED AT EACH 90°.
8. ROTATION: 180°, DETENTED AT EACH 90°.
9. ROTATION: 360°, DETENTED AT EACH 90°.
10. STATIC LOAD: 400 LBS. MAX.
11. STATIC LOAD: 200 LBS. MAX.

2.00	2.25	-16	RETAINER ASSY	5 7 11			
2.00	2.25	-15	RETAINER ASSY	5 6 11			
2.00	2.25	-14	RETAINER ASSY	4 7 11			
2.00	2.25	-13	RETAINER ASSY	4 6 11			
.94	1.19	-12	RETAINER ASSY	5 9 10			
.94	1.19	-11	RETAINER ASSY	5 8 10			
.94	1.19	-10	RETAINER ASSY	5 7 10			
.94	1.19	-9	RETAINER ASSY	5 6 10			
.94	1.19	-8	RETAINER ASSY	5 9 10			
.94	1.19	-7	RETAINER ASSY	5 8 10			
.94	1.19	-6	RETAINER ASSY	5 7 10			
.94	1.19	-5	RETAINER ASSY	5 6 10			
.94	1.19	-4	RETAINER ASSY	4 9 10			
.94	1.19	-3	RETAINER ASSY	4 8 10			
.94	1.19	-2	RETAINER ASSY	4 7 10			
.94	1.19	-1	RETAINER ASSY	4 6 10			
B DIM	A DIM	PART NO.	DESCRIPTION	MATERIAL	SIZE	SPECIFICATION	ITEM NO.

PARTS LIST

UNLESS OTHERWISE SPECIFIED DIMENSIONS ARE IN INCHES TOLERANCES ON DECIMALS ANGLES DRILLED HOLES .X ± .1 ± 0° 30' AND 10387 .XX ± .03 .XXX ± .010	DRAWN BY T. CSIK 3-4-93 CHECKED ENGINEER PROJECT APPROVAL T. CSIK 3-4-93 APPROVAL	 SKYLOCK INDUSTRIES INCORPORATED MONROVIA CALIFORNIA U. S. A.	1/4 TURN RETAINER
DO NOT SCALE THIS DRAWING	MATERIAL - FINISH NEXT ASSY FINAL ASSY		

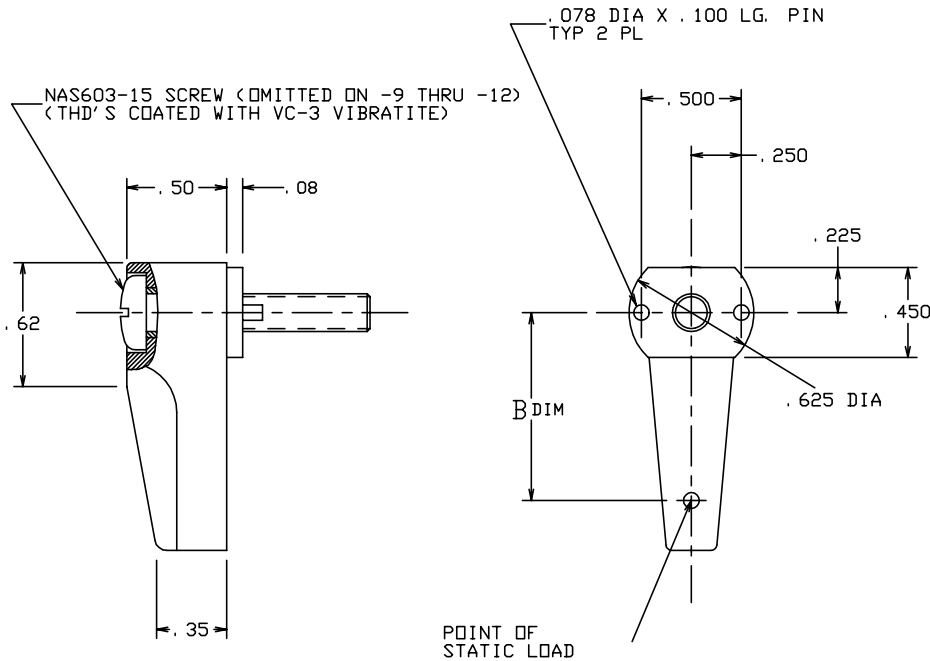
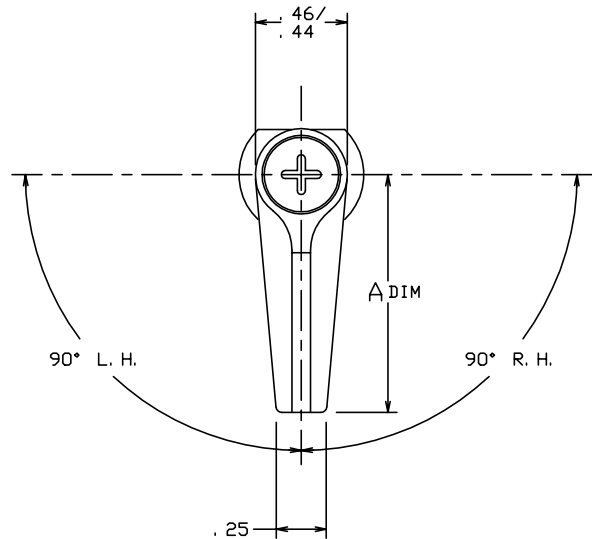
4

3

2

1

REVISIONS				
ZONE	LTR	DESCRIPTION	DATE	APPROVED
		SEE SHT. 1 FOR NOTES		




 SKYLOCK INDUSTRIES INCORPORATED
 MONROVIA CALIFORNIA U. S. A.

1/4 TURN RETAINER

SIZE	CODE IDENT. NO.	DRAWING NO.	REV.
C	51941	20808	A
SCALE	2: 1	VT.	SHEET 2 OF 2

4

3

2

1