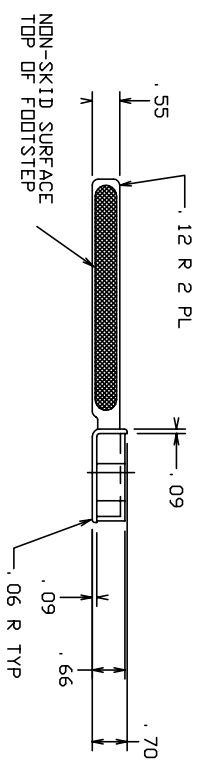
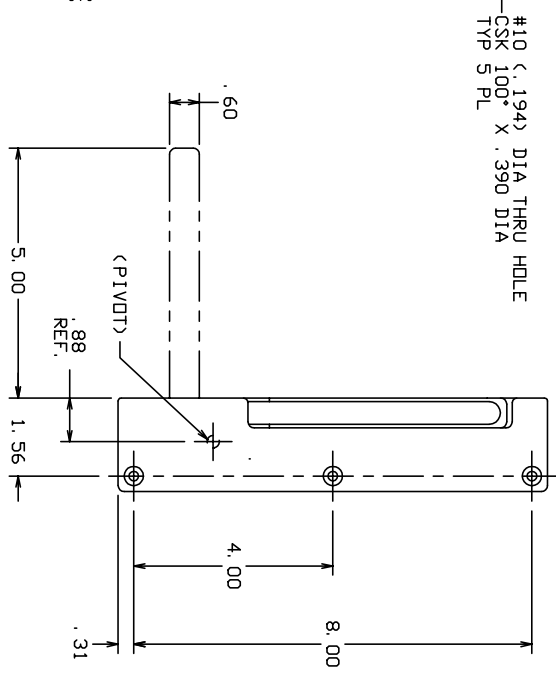
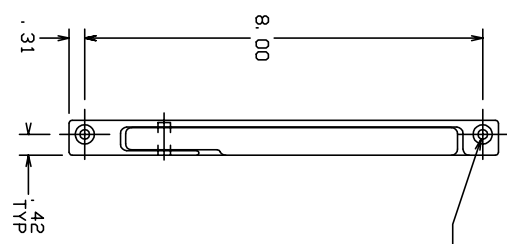
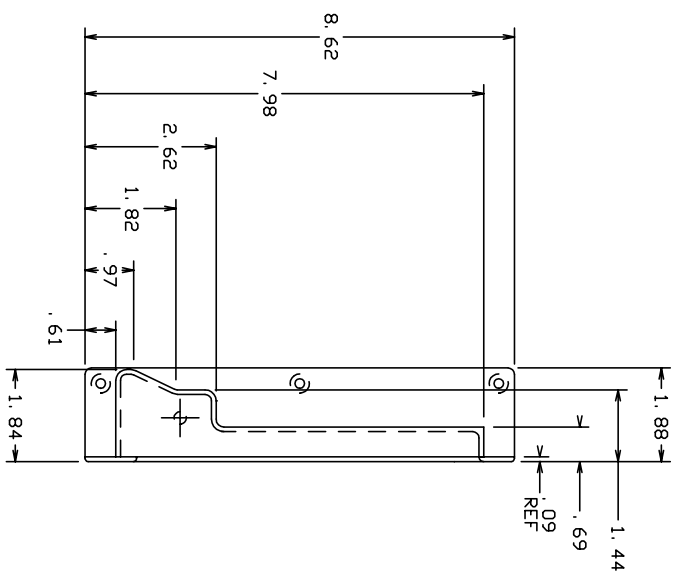


THE INFORMATION AND DESIGN HEREIN WAS ORIGINATED BY AND IS THE PROPERTY OF SKYLOCK INDUSTRIES INCORPORATED. ALL PATENT RIGHTS ARE RESERVED. REPRODUCTION, USE AND SALES RIGHTS THEREOF, AND TO ANY ARTICLE DISCLOSED HEREIN EXCEPT TO THE EXTENT RIGHTS ARE EXPRESSLY GRANTED TO OTHERS, THE FOREGOING DOES NOT APPLY TO VENDOR PROPRIETARY RIGHTS.

- NOTES: UNLESS OTHERWISE SPECIFIED,
1. REMOVE ALL BURRS AND BREAK SHARP EDGES.
 2. MAT'L: ALL MAJOR COMPONENTS; 300 SERIES CRES., PIVOT BUSHING; PHOSPHOROUS BRONZE.
 3. DECORATIVE FINISH: SATIN BUFF.
 4. THIS ASSY IS OF WELDED CONSTRUCTION.
 5. FOOTSTEP IS SPRING LOADED TO THE RETRACTED POSITION.



REVISIONS				
ZONE	LTR	DESCRIPTION	DATE	APPROVED
NC		PRODUCTION RELEASE	4-14-93	T. CSIK

QTY REQ'D	PART NO.	DESCRIPTION	MATERIAL	SIZE SPECIFICATION
	-402	FOOTSTEP ASSY	(DPP.)	
	-401	FOOTSTEP ASSY	(SHOWD)	

PARTS LIST		DRAWN BY T. CSIK		4-14-93
UNLESS OTHERWISE SPECIFIED		CHECKED		
DIMENSIONS ARE IN INCHES		ENGINEER		
TOLERANCES ON		PROJECT		
TECHNICAL ANGLES		APPROVAL T. CSIK		4-14-93
DRILLED HOLES		APPROVAL		
.XX ± .01				
.XX ± .03				
.XX ± .05				

DO NOT SCALE THIS DRAWING		MATERIAL - FINISH		USED ON
NEXT ASSY		SCALE 1:2		VT.
FINAL ASSY		SIZE		CODE IDENT. NO.
		C		51941
		SHEET 1 OF 1		20817

SKYLOCK INDUSTRIES INCORPORATED		MORROVIA CALIFORNIA U.S.A.	
FOOTSTEP ASSY			
REV. NC		REV. NC	