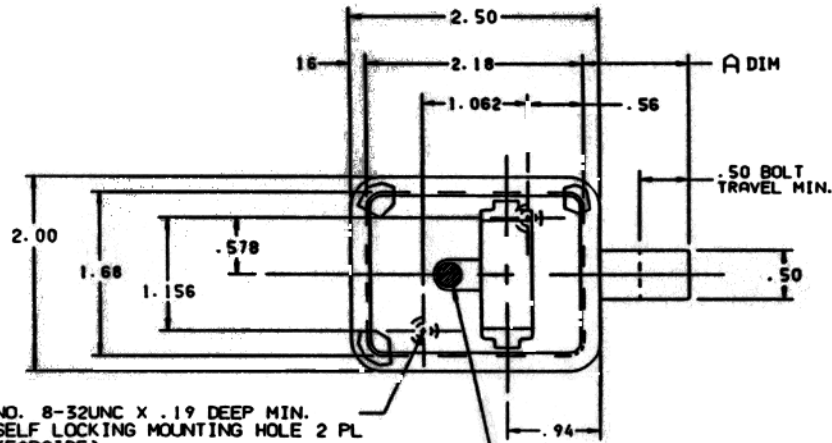


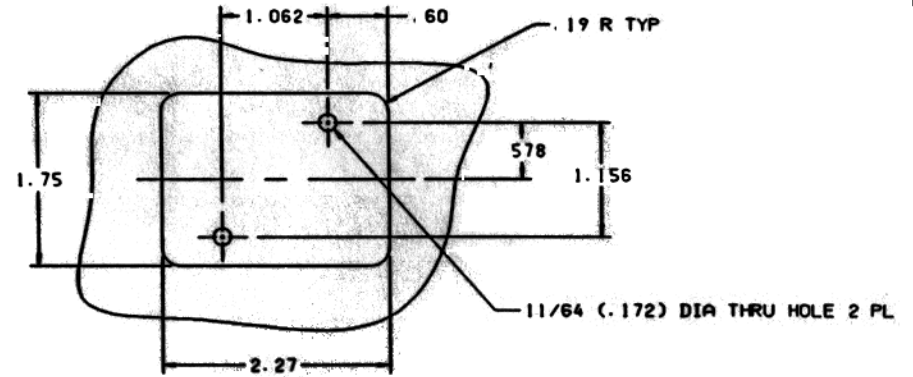
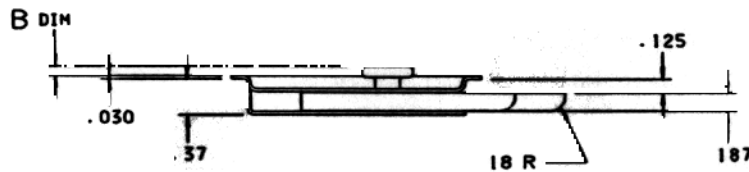
THE INFORMATION AND DESIGN ORIGINATED BY AND IS THE PROPERTY OF SKYLOCK INDUSTRIES INCORPORATED. SKYLOCK INDUSTRIES INCORPORATED RESERVES ALL PATENT, REPRODUCTION, USE AND SALES RIGHTS THEREIN EXCEPT TO THE EXTENT RIGHTS ARE EXPRESSLY GRANTED TO OTHERS. THE FOREGOING DOES NOT APPLY TO VENDOR PROPRIETARY PARTS.

**NOTES: UNLESS OTHERWISE SPECIFIED.**

1. MAT'L: HANDLE: 6061-T6 ALUM. ALLOY.  
ALL OTHER COMPS: CRES.
2. FINISH: HANDLE: CLEAR ANODIZE. CRES.: CLEAN AND PASSIVATE.
3. DECORATIVE FINISH: SATIN BUFF.
4. STATIC LOAD 600 LBS.
5. BOLT IS DETENTED IN EXTENDED AND RETRACTED POSITIONS.



GREEN DOT IS SHOWN WHEN BOLT IS EXTENDED-RED DOT IS SHOWN WHEN BOLT IS NOT FULLY LATCHED



DOOR CUTOUT INFORMATION

B DIM	A DIM	PART NO.	DESCRIPTION	MATERIAL	SIZE SPECIFICATION	ITEM NO.
.00	1.06	-21	LATCH			
.00	.81	-19	LATCH			
.12	1.06	-17	LATCH			
.22	1.06	-15	LATCH			
.12	.88	-13	LATCH			
.12	.91	-11	LATCH			
.12	1.12	-9	LATCH			
.22	1.22	-7	LATCH			
.12	.69	-5	LATCH			
.12	.81	-3	LATCH			
.22	.81	-1	LATCH			

UNLESS OTHERWISE SPECIFIED DIMENSIONS ARE IN INCHES		DRAWN BY T. CSIK 9-27-93		SKYLOCK INDUSTRIES INCORPORATED MONROVIA CALIFORNIA U.S.A.
TOLERANCES ON DECIMALS UNLESS OTHERWISE SPECIFIED		CHECKED		
DO NOT SCALE THIS DRAWING		PROJECT		LATCH ASSY - DEADBOLT
MATERIAL - FINISH		APPROVAL T. CSIK 9-27-93		
NEXT ASSY		USED ON		SIZE C
FINAL ASSY		SCALE 1:1		CODE IDENT. NO. 51941
		SHEET 1 OF 1		ISSUE NO. 20834
				REV. NC

REVISIONS				DATE	APPROVED
ZONE	LTR	DESCRIPTION		5-27-93	T.C.
		NC PRODUCTION RELEASE			