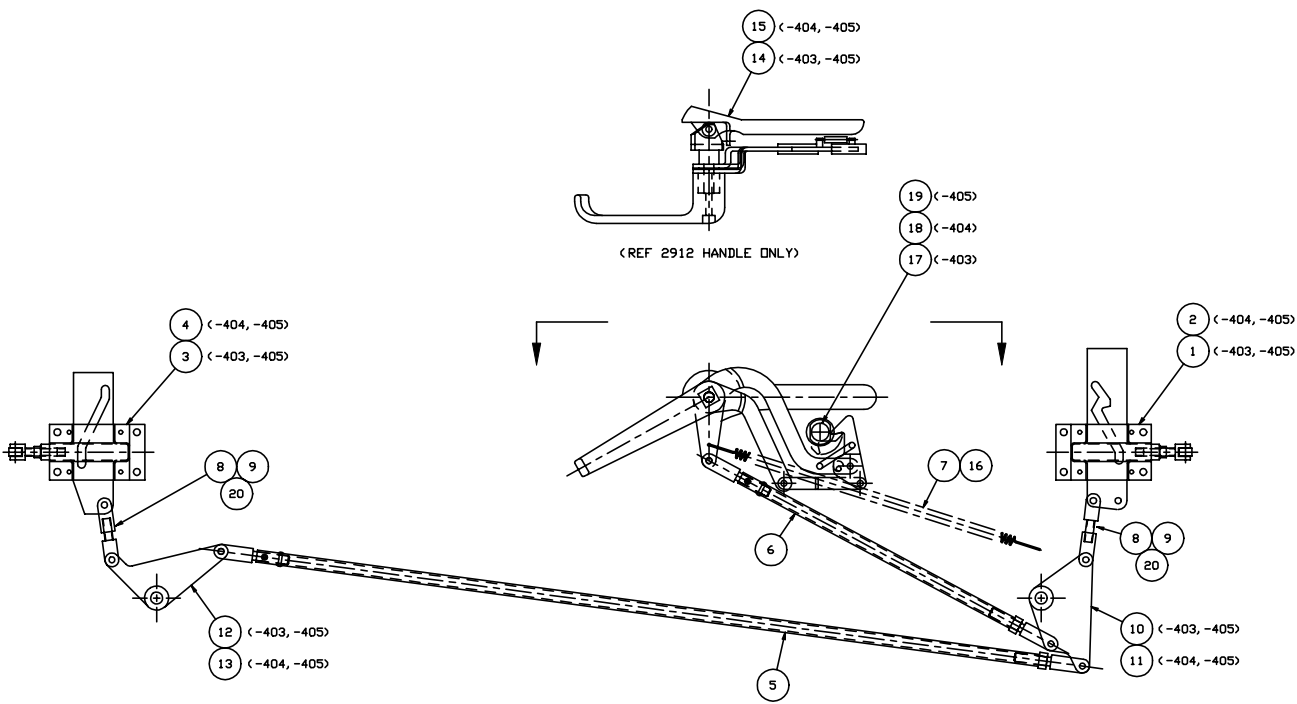


THE INFORMATION AND DESIGN HEREIN WAS ORIGINATED BY AND IS THE PROPERTY OF SOLDEX INDUSTRIES INCORPORATED. SOLDEX INDUSTRIES INCORPORATED RESERVES ALL PATENT, PROPRIETARY, DESIGN MANUFACTURING INFORMATION, USE AND SALES RIGHTS HEREIN, AND TO ANY ARTICLES DEVELOPED THEREIN EXCEPT TO THE EXTENT RIGHTS ARE EXPRESSLY GRANTED TO OTHERS. THE FOREGOING DOES NOT APPLY TO NON-PATENTABLE PARTS.

- NOTES: UNLESS OTHERWISE SPECIFIED.
 1. SEE SUB-ASSEMBLY AND RELATED COMPONENT DRAWINGS FOR MATERIAL AND FINISH SPECIFICATIONS.
 2. LINKAGE CONNECTING HARDWARE TO BE CUSTOMER SUPPLIED.

REVISIONS				
ZONE	LTR	DESCRIPTION	DATE	APPROVED
NC		PRODUCTION RELEASE	3-10-95	T. CSIK



- 403 DOOR BOLTING SYSTEM (SHOWN)
- 404 DOOR BOLTING SYSTEM (OPP.)
- 405 DOOR BOLTING SYSTEM (SHOWN AND OPP.)

QTY	REQD	PART NO.	DESCRIPTION	MATERIAL	SIZE	SPECIFICATION	ITEM NO.		
1	1	1	AN316-4R	NUT			20		
1			20318-407	LOCKSET, DOOR			19		
	1		20318-404	LOCKSET, DOOR			18		
		1	20318-403	LOCKSET, DOOR			17		
2	1	1	2919-1	JACKET			16		
1	1	1	2912-404	HANDLE ASSY			15		
1		1	2912-403	HANDLE ASSY			14		
1	1	1	2911-2	BELLCRANK			13		
1		1	2911-1	BELLCRANK			12		
1	1	1	2910-2	BELLCRANK			11		
1		1	2910-1	BELLCRANK			10		
4	2	2	1061-1	CLEVIS			9		
4	2	2	1060-1	CLEVIS			8		
2	1	1	1058-1	SPRING			7		
2	1	1	1045-423	ROD ASSY			6		
2	1	1	1045-421	ROD ASSY			5		
1	1	1	1008-417	LATCH ASSY			4		
1		1	1008-416	LATCH ASSY			3		
1	1	1	1008-415	LATCH ASSY			2		
1		1	1008-414	LATCH ASSY			1		
-405	-404	-403	QTY REQD	PART NO.	DESCRIPTION	MATERIAL	SIZE	SPECIFICATION	ITEM NO.

PARTS LIST

UNLESS OTHERWISE SPECIFIED	DRAWN BY	T. CSIK	3-9-95
DIMENSIONS ARE IN INCHES	CHECKED	S. CSIK	3-10-95
TOLERANCES ON	ENGINEER	S. CSIK	3-10-95
DECIMALS	ANGLES	D RPT	AND 10007
DRILL HOLES	PROJECT	T. CSIK	3-10-95
APPROVAL	D. SHORT	3-10-95	
DO NOT SCALE THIS DRAWING	APPROVAL	R. HECK	3-10-95
MATERIAL - FINISH	USED ON		
NEXT ASSY			
FINAL ASSY			

DOOR BOLTING SYSTEM BI-FOLD DOOR (230 SPECIAL MISSION)

SIZE: D 51941
 CODE IDENT. NO.: 20835
 DRAWING NO.:
 REV.: NC

SCALE: 1:2
 SHEET: 1 OF 1