


THE INFORMATION AND DESIGN HEREIN WAS ORIGINATED BY AND IS THE PROPERTY OF SKYLOCK INDUSTRIES INCORPORATED. SKYLOCK INDUSTRIES INCORPORATED RESERVES ALL PATENT, PROPRIETARY, DESIGN, MANUFACTURING, REPRODUCTION, USE AND SALES RIGHTS THEREIN, AND TO ANY ARTICLE DISCLOSED THEREIN EXCEPT TO THE EXTENT RIGHTS ARE EXPRESSLY GRANTED TO OTHERS. THE FOREGOING DOES NOT APPLY TO VENDOR PROPRIETARY ITEMS. SKYLOCK IND. INC. WARRANTS THAT THIS PRODUCT MANUFACTURED AND SOLD BY US WILL BE FREE OF MATERIAL AND WORKMANSHIP DEFECTS. AS SUCH, A LIMITED WARRANTY OF 18 MONTHS FROM OUR SHIPPING DATE WILL APPLY. THIS LIMITED WARRANTY IS VOID IF THE PRODUCT IS ABUSED, USED FOR A PURPOSE NOT INTENDED BY SKYLOCK, IS IMPROPERLY INSTALLED, OR IS IMPROPERLY MAINTAINED. THE EXTENT OF SKYLOCK'S LIABILITY WILL BE LIMITED TO, AT OUR OPTION, THE PURCHASE PRICE OR REPLACEMENT OR REPAIR OF THE PRODUCT ONCE SKYLOCK HAS DETERMINED THAT THE PRODUCT WAS IMPAIRED FOR THE USE IT WAS INTENDED BY US DUE TO A DEFECT IN MATERIAL OR WORKMANSHIP. ANY WARRANTY CLAIMS MUST BE PROVIDED TO US WITHIN 30 DAYS IN WRITING AFTER INITIAL DISCOVERY OF ANY DEFECTS. NO PARTS ARE TO BE RETURNED UNLESS AUTHORIZED BY AN OFFICER OF SKYLOCK IND. INC. ANY DEVIATION FROM THIS LIMITED WARRANTY MUST BE AUTHORIZED BY AN OFFICER OF SKYLOCK IND. INC.

NOTES: UNLESS OTHERWISE SPECIFIED.

- MAT'L: ALL COMP'S; ALUM. ALLOY, EXCEPT SLIDE; NYLON 6/6, PUSH BUTTON ROD & SLAM BOLT; ST. STL.
- DECORATIVE FINISH: VISIBLE SURFACES; SATIN BUFF.
- PROTECTIVE FINISH: ALUM. COMP'S; CLEAR ANODIZE, ST. STL. COMP.; PASSIVATE.
- OPERATION: PUSH BUTTON TO RELEASE COAT RACK AND PULL RACK TO EXTEND. PUSH BUTTON LATCH IS SPRING LOADED AND ALWAYS FREE TO LATCH.

STATIC LOAD: 400 LBS. MAX. DOWN LOAD EVENLY DISTRIBUTED OVER THE COAT ROD, IN THE RETRACTED POSITION. 300 LBS. MAX. DOWN LOAD APPLIED AT THE TOP OF THE END CAP, IN THE EXTENDED POSITION (16.00"). 300 LBS. MAX. SIDE LOAD APPLIED AT THE SIDE OF THE END CAP, IN THE EXTENDED POSITION (16.00"). LOAD DATA APPLICABLE TO -401 ONLY.

REVISIONS				
ZONE	LTR	DESCRIPTION	DATE	APPROVED
	NC	PRODUCTION RELEASE	6-25-93	T. CSIK
	A	ADDED -403, UPDATED TO REFLECT IMPROVEMENTS	9-20-93	T. CSIK
	B	ADDED STATIC LOAD INFORMATION, REVISED MOUNTING HOLES WAS #7 (.201) DIA THRU 6 PLCS	10-26-93	T. CSIK
	C	ADDED -405	8-16-95	T. CSIK
	D	DIM. ZN C/2: IS 36.90 (-405), WAS 38.00 (-405), IS 39.34 (-405), WAS 39.44 (-405)	4-21-97	T. CSIK
	E	ADDED -407	8-22-97	T. CSIK
	F	ADDED -409, ADDED WARRANTY INFORMATION	4-16-98	T. CSIK

-409	COAT RACK ASSY				
-407	COAT RACK ASSY				
-405	COAT RACK ASSY				
-403	COAT RACK ASSY				
-401	COAT RACK ASSY				
PART NO.	DESCRIPTION	MATERIAL	SIZE	SPECIFICATION	ITEM NO.
PARTS LIST					
UNLESS OTHERWISE SPECIFIED		DRAWN BY T. CSIK		6-25-93	
DIMENSIONS ARE IN INCHES		CHECKED		 SKYLOCK INDUSTRIES INCORPORATED MONROVIA CALIFORNIA U. S. A.	
TOLERANCES ON		ENGINEER			
DECIMALS ANGLES DRILLED HOLES		PROJECT			
.X ± .1 ± 0° 30' AND 10387		APPROVAL T. CSIK			
.XX ± .03		6-25-93		COAT RACK ASSY	
.XXX ± .010		APPROVAL			
DO NOT SCALE THIS DRAWING					
MATERIAL - FINISH		USED ON		SIZE	CODE IDENT. NO.
NEXT ASSY				C	51941
FINAL ASSY				DRAWING NO. 20840	
				REV. F	
SCALE 1:3			VT.	SHEET 1 OF 3	

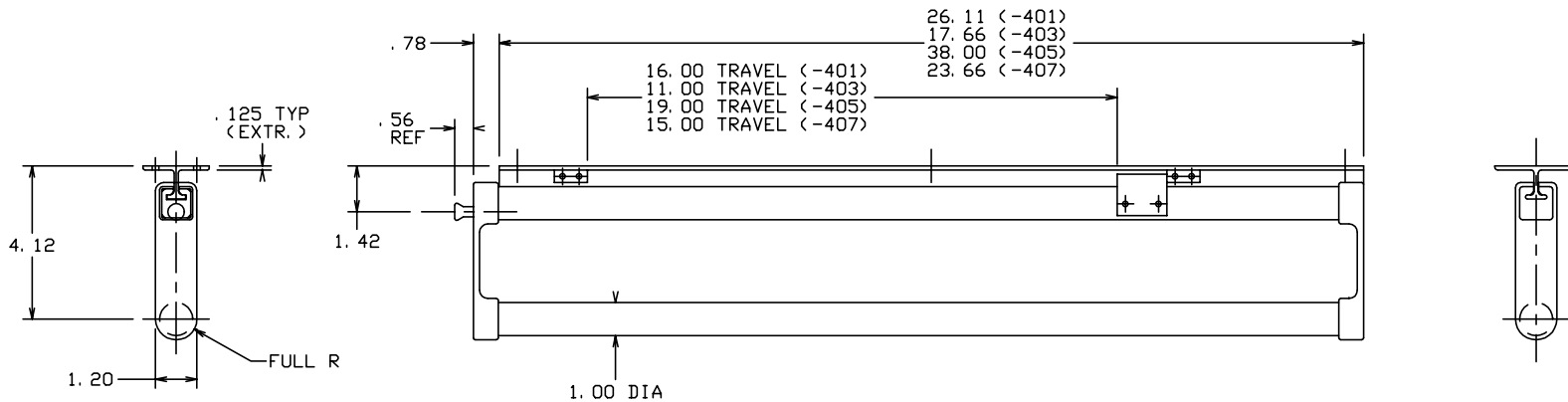
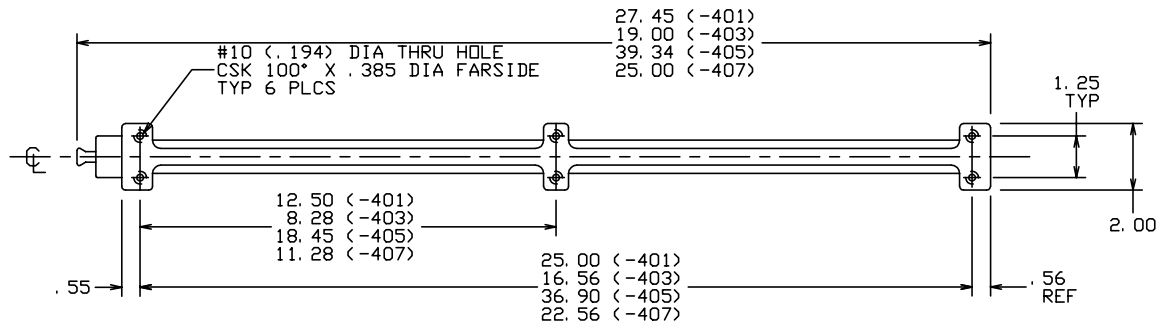
4

3

2

1

REVISIONS				DATE	APPROVED
ZONE	LTR	DESCRIPTION			
		SEE SHT. 1 FOR NOTES			



-401 THRU -407 COAT RACK SHOWN

SKYLOCK INDUSTRIES INCORPORATED
MONROVIA CALIFORNIA U. S. A.

COAT RACK ASSY

SIZE	CODE IDENT. NO.	DRAWING NO.	REV.
C	51941	20840	F
SCALE	1:3	VT.	SHEET 2 OF 3

4

3

2

1

4

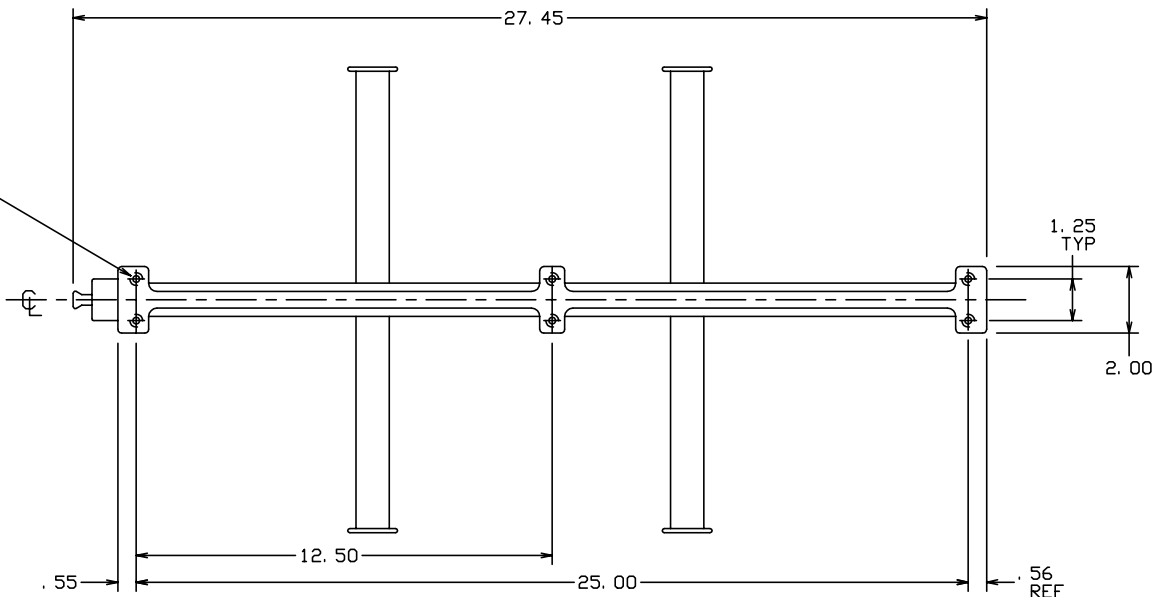
3

2

1

REVISIONS				DATE	APPROVED
ZONE	LTR	DESCRIPTION			
		SEE SHT. 1 FOR NOTES			

#10 (.194) DIA THRU HOLE
 CSK 100° X .385 DIA FAR SIDE
 TYP 6 PLCS



D

D

C

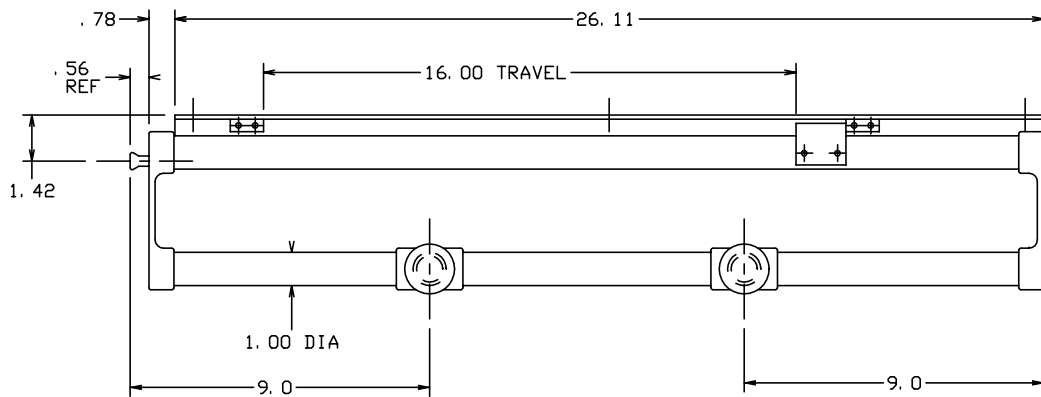
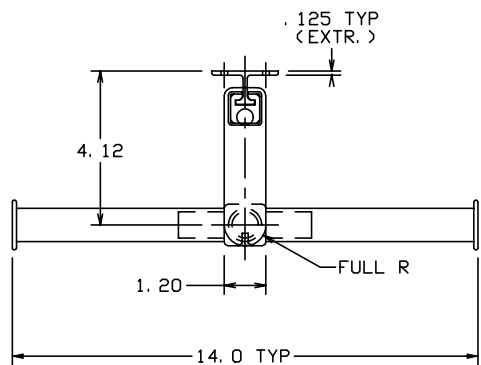
C

B

B

A

A



-409 COAT RACK

SKYLOCK INDUSTRIES INCORPORATED
 MONROVIA CALIFORNIA U. S. A.

COAT RACK ASSY

SIZE	CODE IDENT. NO.	DRAWING NO.	REV.
C	51941	20840	F
SCALE 1:3	VT.	SHEET 3	OF 3

4

3

2

1