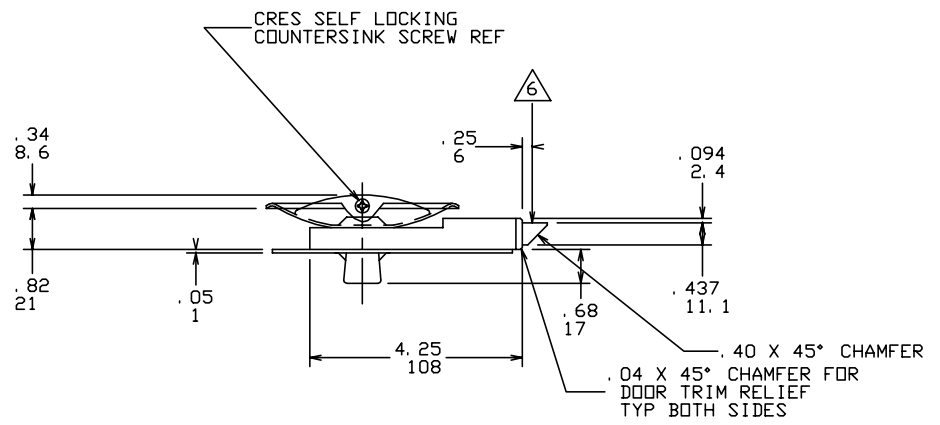
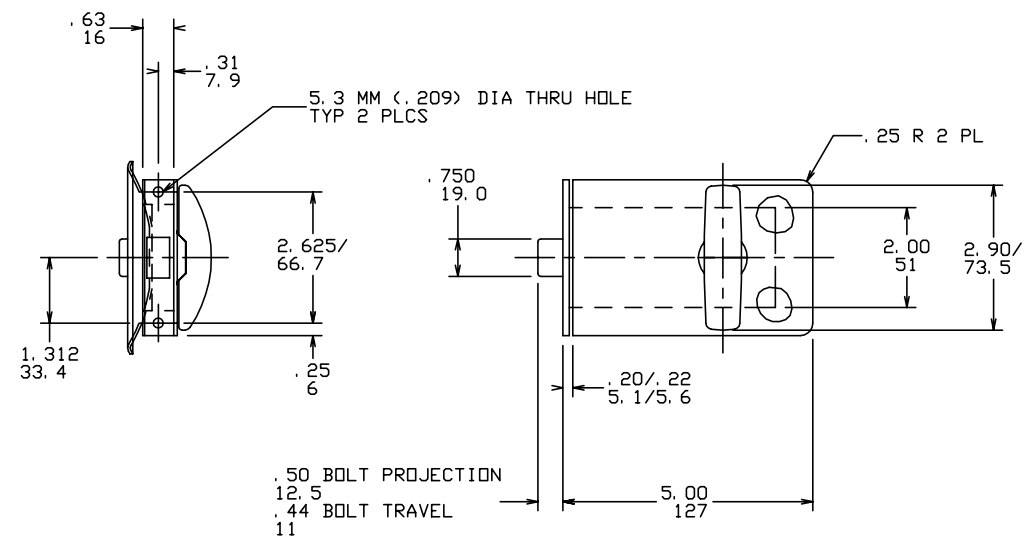
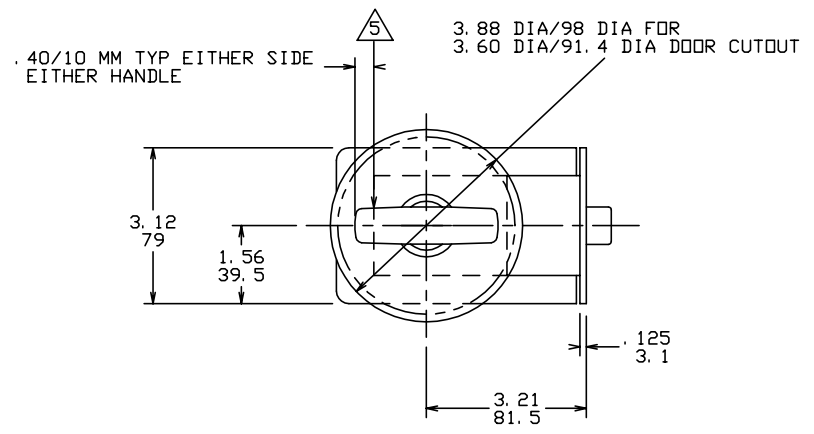


THE INFORMATION AND DESIGN HEREIN WAS ORIGINATED BY AND IS THE PROPERTY OF SKYLOCK INDUSTRIES INCORPORATED. SKYLOCK INDUSTRIES INCORPORATED RESERVES ALL PATENT, PROPRIETARY, DESIGN MANUFACTURING, REPRODUCTION, USE AND SALES RIGHTS THERE TO, AND TO ANY ARTICLE DISCLOSED THEREIN EXCEPT TO THE EXTENT RIGHTS ARE EXPRESSLY GRANTED TO OTHERS. THE FOREGOING DOES NOT APPLY TO VENDOR PROPRIETARY PARTS.

REVISIONS				
ZONE	LTR	DESCRIPTION	DATE	APPROVED
	NC	PRODUCTION RELEASE	10-19-93	T. CSIK
	A	ADDED DIM. IS 2.90/73.5, DIM. IS .34/8.6 WAS .27/7, NOTE IS .04 X 45° CHAMFER... BOTH SIDES	1-24-94	T. CSIK

NOTES: UNLESS OTHERWISE SPECIFIED.

- MATERIAL: CASE ASSY, TURN HANDLES AND ESCUTCHEONS - ALUM. ALLOY.
BOLT AND INTERNAL BUSHINGS - DELRIN
ALL OTHER COMPONENTS - CRES.
- DECORATIVE FINISH: ALL VISIBLE METAL SURFACES - SATIN BUFF.
- PROTECTIVE FINISH: ALUM. - CLEAR ANODIZE; CRES - PASSIVATE.
- LATCH BOLT IS SPRING LOADED TO THE EXTENDED POSITION. TURNING HANDLE ON EITHER SIDE, OR SLAM ACTION RETRACTS BOLT AT ANY TIME.
- POINT OF STATIC LOAD APPLIED 102 LBS. MAX. / .45 kN MAX. (JAMMING LOAD).
- POINT OF STATIC LOAD APPLIED 203 LBS. MAX. / .90 kN MAX. (PANIC AND SLAM LOAD).
- OPERATING LOAD IS 5.5 LBS. MAX. / 2.5 KG MAX.



(UPPER DIM. IN INCHES
LOWER DIM. IN MM)

-401		LATCH ASSY			
QTY REQD	PART NO.	DESCRIPTION	MATERIAL	SIZE	SPECIFICATION
PARTS LIST					
UNLESS OTHERWISE SPECIFIED: DIMENSIONS IN INCHES		DRAWN BY	T. CSIK	8-11-93	SKYLOCK INDUSTRIES INCORPORATED MONROVIA CALIFORNIA U. S. A.
TOLERANCES ON DRILLED HOLES AND 10387		CHECKED			
DECIMALS X * .1 X * .1 020 XXX * .010		ENGINEER			
DIMENSIONS IN MILLIMETERS		PROJECT			
TOLERANCES ON DRILLED HOLES AND 10387		APPROVAL	T. CSIK	8-11-93	DOOR LATCH ASSY
DECIMALS X * .3 MM X * .3 MM		APPROVAL			
DO NOT SCALE THIS DRAWING			USED ON	SIZE	CODE IDENT. NO.
				C	51941
				DRAWING NO.	20849
				REV.	A
(THIS PART IS SIMILAR TO 20238)			SCALE	1:2	WT. .40 KG/.90 LB.
					SHEET 1 OF 1