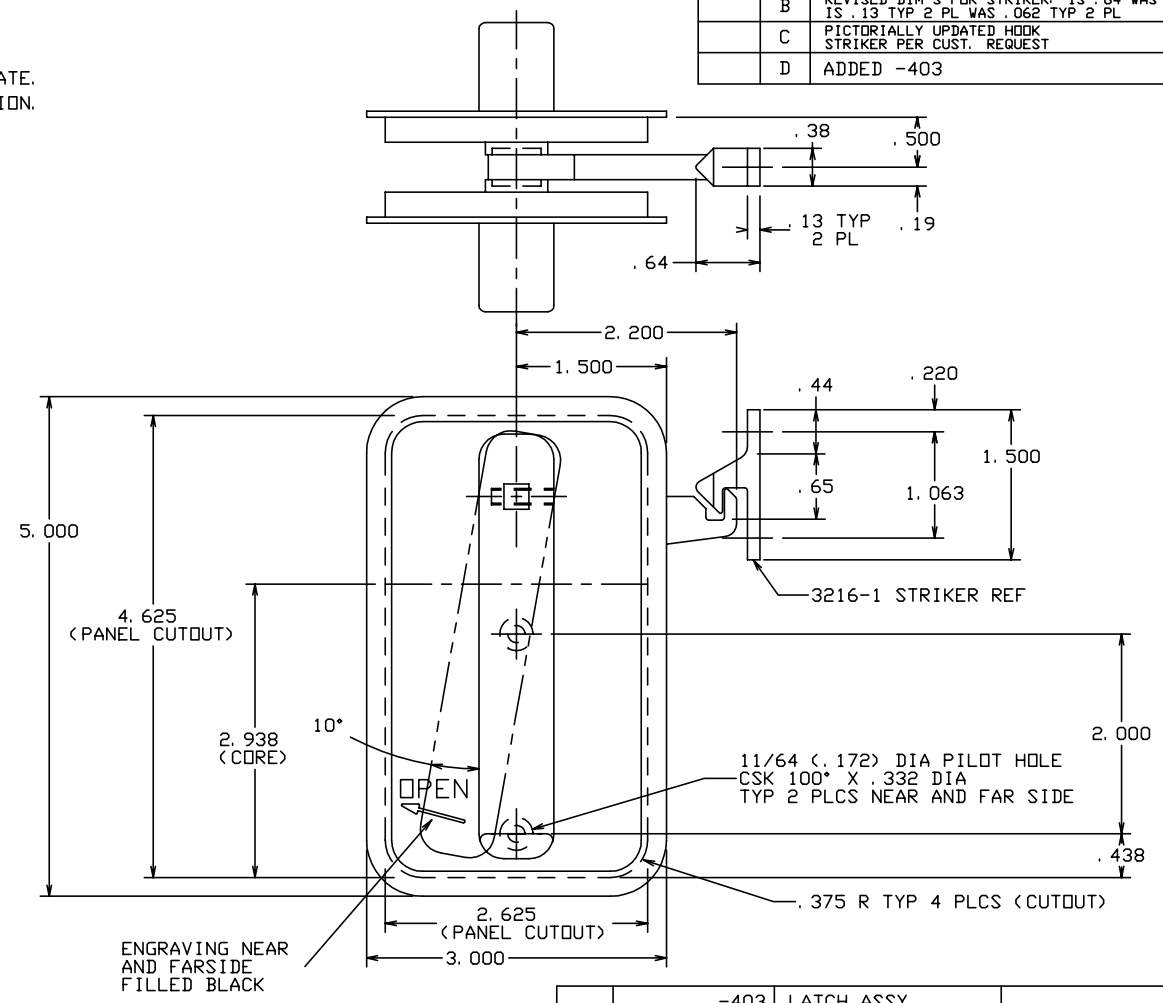
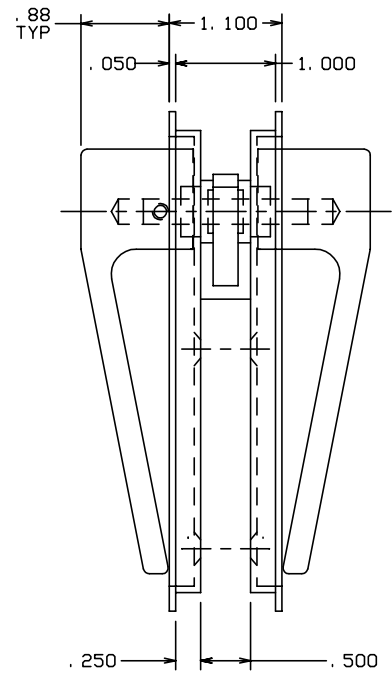



THE INFORMATION AND DESIGN HEREIN WAS ORIGINATED BY AND IS THE PROPERTY OF SKYLOCK INDUSTRIES INCORPORATED. SKYLOCK INDUSTRIES INCORPORATED RESERVES ALL PATENT, PROPRIETARY, DESIGN MANUFACTURING, REPRODUCTION, USE AND SALES RIGHTS THERE TO, AND TO ANY ARTICLE DISCLOSED THEREIN EXCEPT TO THE EXTENT RIGHTS ARE EXPRESSLY GRANTED TO OTHERS. THE FOREGOING DOES NOT APPLY TO VENDOR PROPRIETARY PARTS.

REVISIONS				
ZONE	LTR	DESCRIPTION	DATE	APPROVED
	NC	PRODUCTION RELEASE	8-15-96	T. CSIK
	A	REVISED STRIKER CONFIGURATION, REVISED DIM. ZN C/2 IS .58 WAS .38	11-19-96	T. CSIK
	B	REVISED DIM'S FOR STRIKER; IS .64 WAS .58 IS .13 TYP 2 PL WAS .062 TYP 2 PL	12-12-96	T. CSIK
	C	PICTORIALLY UPDATED HOOK STRIKER PER CUST. REQUEST	6-26-97	T. CSIK
	D	ADDED -403	6-12-98	T. CSIK

- NOTES: UNLESS OTHERWISE SPECIFIED.
1. REMOVE ALL BURRS AND BREAK SHARP EDGES.
 2. MAT'L: LATCH HOUSING, HANDLES; ALUM. ALLOY, ALL OTHER PARTS; 300 SERIES CRES.
 3. FINISH: ALUM.; ANODIZE, CRES PARTS; PASSIVATE.
 4. HOOK IS SPRING LOADED TO THE ENGAGED POSITION.



-401 LATCH ASSY

	-403	LATCH ASSY				
	-401	LATCH ASSY				
PART NO.	DESCRIPTION		MATERIAL	SIZE	SPECIFICATION	ITEM NO.
PARTS LIST						
UNLESS OTHERWISE SPECIFIED			DRAWN BY	T. CSIK	6-29-94	 SKYLOCK INDUSTRIES INCORPORATED MONROVIA CALIFORNIA U. S. A.
DIMENSIONS ARE IN INCHES			CHECKED			
TOLERANCES ON			ENGINEER			
DECIMALS ANGLES DRILLED HOLES			PROJECT			
.X ± .1 ± 0° 30' AND 10387			APPROVAL	T. CSIK	6-29-94	LATCH ASSY, SLIDING DOOR
.XX ± .03			APPROVAL			
.XXX ± .010			APPROVAL			
DO NOT SCALE THIS DRAWING						
MATERIAL - FINISH			USED ON	SIZE	CODE IDENT. NO.	DRAWING NO.
NEXT ASSY				C	51941	20896
FINAL ASSY				SCALE	1:1	WT.
						SHEET 1 OF 2

D

C

B

A

D

C

B

A

4

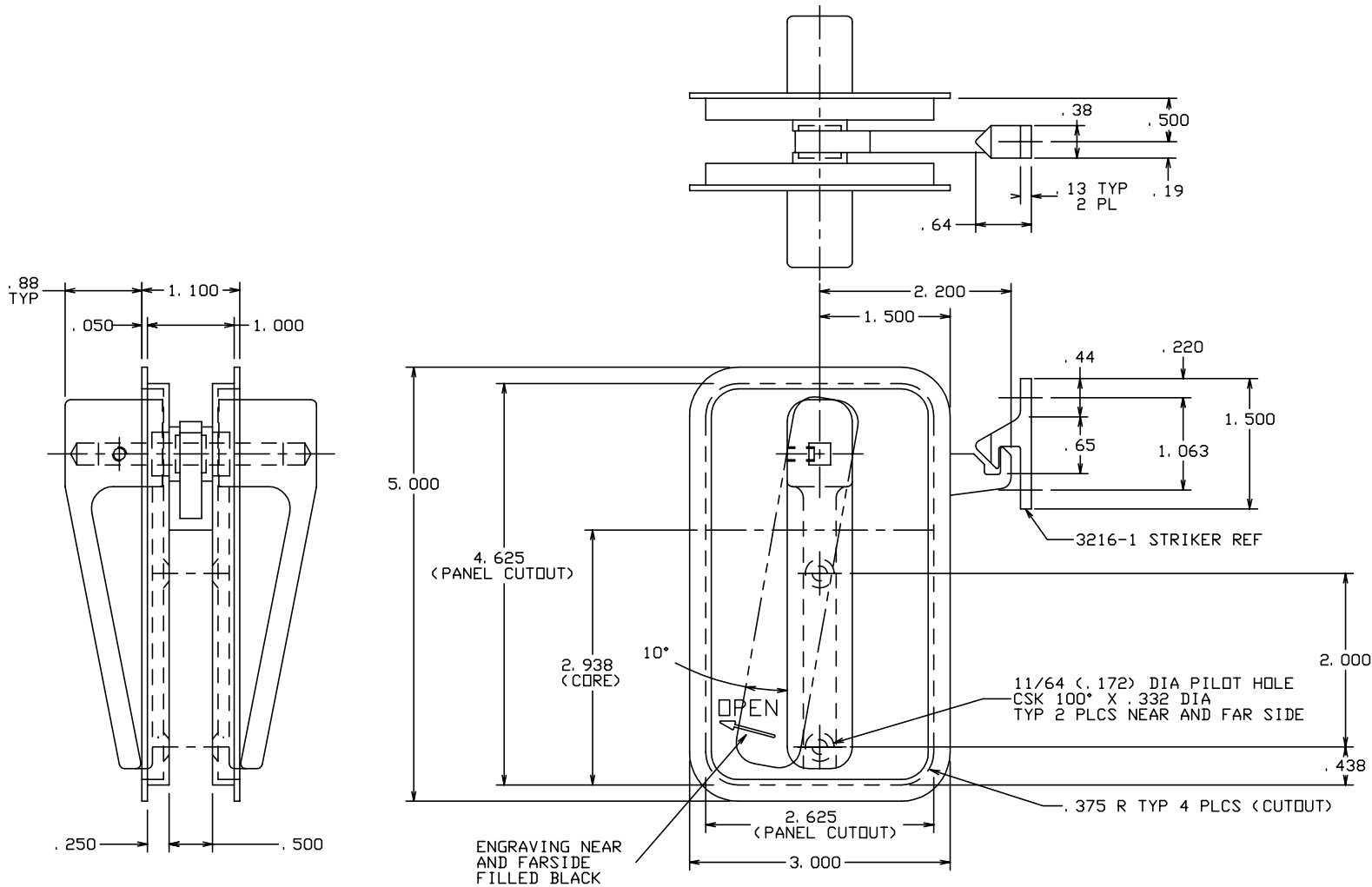
3

2


1

THE INFORMATION AND DESIGN HEREIN WAS ORIGINATED BY AND IS THE PROPERTY OF SKYLOCK INDUSTRIES INCORPORATED. SKYLOCK INDUSTRIES INCORPORATED RESERVES ALL PATENT, PROPRIETARY, DESIGN MANUFACTURING, REPRODUCTION, USE AND SALES RIGHTS THERE TO, AND TO ANY ARTICLE DISCLOSED THEREIN EXCEPT TO THE EXTENT RIGHTS ARE EXPRESSLY GRANTED TO OTHERS. THE FOREGOING DOES NOT APPLY TO VENDOR PROPRIETARY PARTS.

REVISIONS				
ZONE	LTR	DESCRIPTION	DATE	APPROVED
		SEE SHT. 1 FOR NOTES		



-403 LATCH ASSY

 SKYLOCK INDUSTRIES INCORPORATED MONROVIA CALIFORNIA U. S. A.			
LATCH ASSY, SLIDING DOOR			
SIZE	CODE IDENT. NO.	DRAWING NO.	REV.
C	51941	20896	D
SCALE	1: 1	VT.	SHEET 2 OF 2