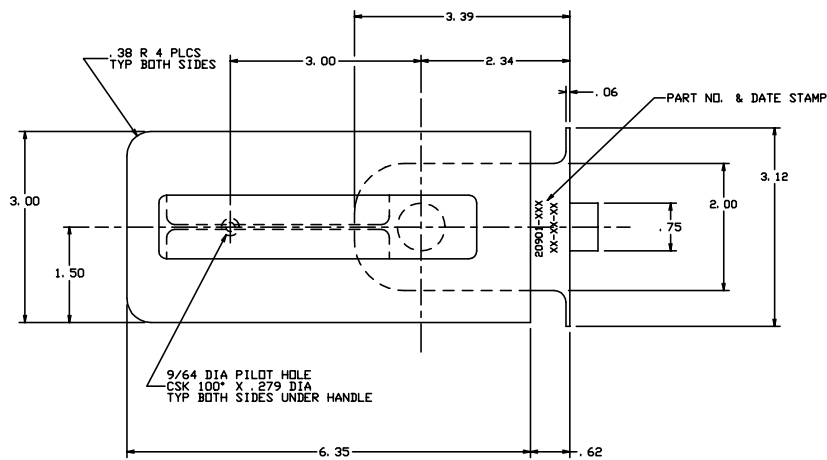
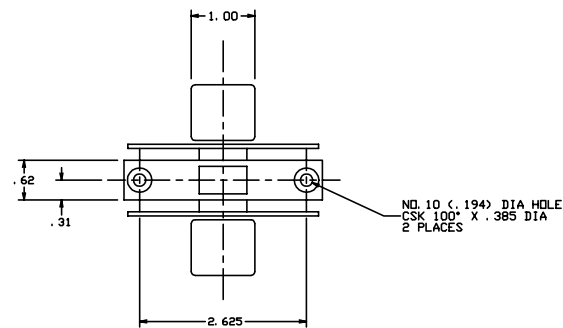
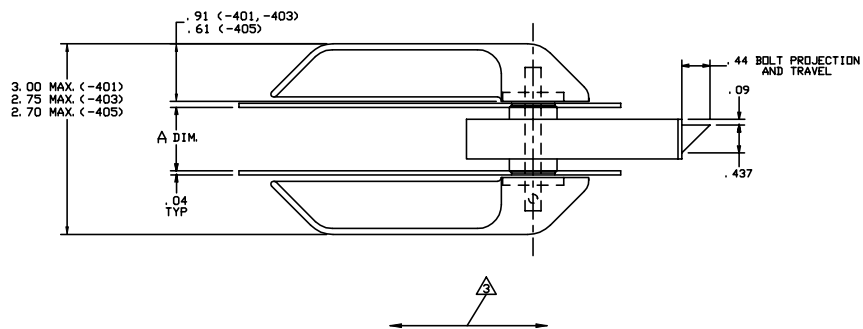


THE INFORMATION AND DESIGN HEREIN WAS ORIGINATED BY AND IS THE PROPERTY OF SKYLOX INDUSTRIES INCORPORATED. SKYLOX INDUSTRIES INCORPORATED RESERVES ALL PATENT, PROPRIETARY, DESIGN MANUFACTURING INFORMATION, AND SALES RIGHTS HEREIN, AND TO ANY ARTICLES DEVELOPED THEREIN EXCEPT TO THE EXTENT RIGHTS ARE EXPRESSLY GRANTED TO OTHERS. THE FOREGOING DOES NOT APPLY TO NON-PATENTABLE MATTER.

NOTES: UNLESS OTHERWISE SPECIFIED.

- MAT'L REF.: HANDLE, FACEPLATE AND CASE; 6061-T6/T651 PER ASTM B-221 OR EQUIV. BUSHING; NYLON 6/6 PER ASTM D-4066-PA 114 OR EQUIV. BOLT; 30% GLASS FILLED NYLON, SPRINGS AND ALL OTHER COMPS; STEEL.
- PROTECTIVE FINISH REF.: ALUM.; CLEAR ANODIZE PER MIL-A-8625, TYPE II, CLASS 1, CRES; PASSIVATE PER AMS-QQ-P-35, TYPE II, OR EQUIV.
- DECORATIVE FINISH REF.: SATIN BRUSH DIRECTION NOTED.
- USE WITH STRIKER NO. 20258.
- PER FAR 45.15. PARTS WILL BE IDENTIFIED WITH:
 - FAA-PMA.
 - SKYLOX IND. INC.
 - PART NO.
 - AIRCRAFT ELIGIBILITY.

REVISIONS				
ZONE	LTR	DESCRIPTION	DATE	APPROVED
	NC	PRODUCTION RELEASE	8-9-94	T. C.
	A	ADDED -403	8-18-94	T. C.
	B	PER CUST. REQUEST, DIM. IS 6.35 WAS 6.00, IS SE WAS .97	9-26-94	T. C.
	C	PRODUCT IMPROVEMENT-REVISED INTERNAL BOLT, IS 2482-201 WAS 2482-1	5-16-95	T. C.
	D	SEE ECN D	4/12/99	T. C.



-401, 403, -405 LATCH

REV	DESCRIPTION	PART NO.	MATERIAL	SIZE	SPECIFICATION	MAKE FROM
1.00	-405	LATCH				120901-405
.75	-403	LATCH				120901-403
1.00	-401	LATCH				120901-401

PARTS LIST			
REV	PART NO.	DESCRIPTION	MAKE FROM

UNLESS OTHERWISE SPECIFIED		DRAWN BY		CHECKED		DESIGNED		DATE	
DIMENSIONS ARE IN INCHES		T. CSIK		L. GARCIA		T. CSIK		7-05-94	
TOLERANCES ON		DECIMALS		ANGLES		DRILLED HOLES		AND 100007	
.0005		.005		.005		.005		4/18/99	
.0005		.005		.005		.005		4/20/99	
.0005		.005		.005		.005		5/7/99	

SKYLOX INDUSTRIES INCORPORATED		MENDOTA CALIFORNIA	
LATCH-HANDICAP DOOR			

MATERIAL - FINISH	USED ON	SIZE	CODE IDENT. NO.	DRAWING NO.	REV.
		D	51941	20901	D

MANUFACTURE IN ACCORDANCE WITH SKYLOX IND. INC., QUALITY CONTROL MANUAL QC 001 SCALE 1:1 SHEET 1 OF 1