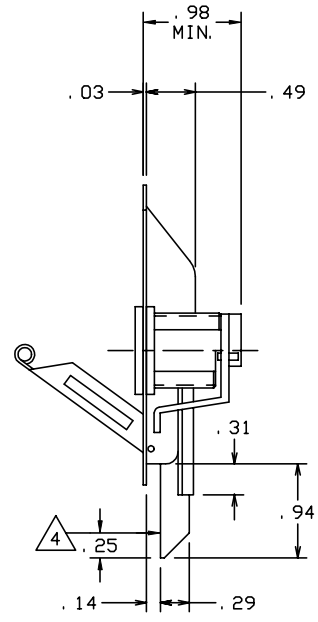
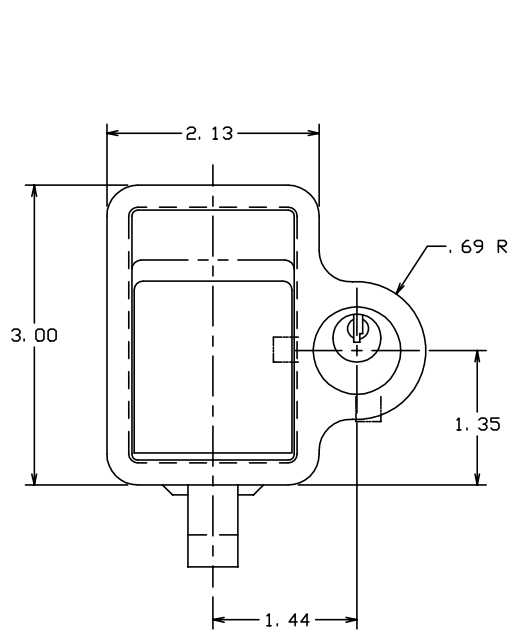
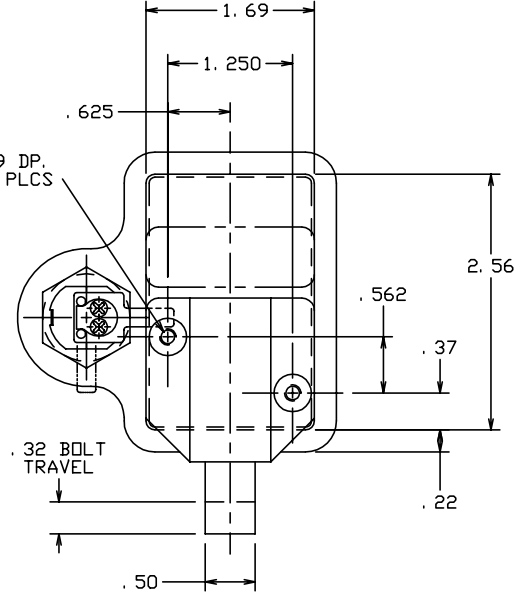


THE INFORMATION AND DESIGN HEREIN WAS ORIGINATED BY AND IS THE PROPERTY OF SKYLOCK INDUSTRIES INCORPORATED. SKYLOCK INDUSTRIES INCORPORATED RESERVES ALL PATENT, PROPRIETARY, DESIGN MANUFACTURING, REPRODUCTION, USE AND SALES RIGHTS THERE TO, AND TO ANY ARTICLE DISCLOSED THEREIN EXCEPT TO THE EXTENT RIGHTS ARE EXPRESSLY GRANTED TO OTHERS. THE FOREGOING DOES NOT APPLY TO VENDOR PROPRIETARY PARTS.

REVISIONS				
ZONE	LTR	DESCRIPTION	DATE	APPROVED
	NC	PRODUCTION RELEASE	8-3-94	T. CSIK
	A	SEE ECN A		



8-32UNC-2B THD. X .19 DP. MOUNTING STUDS TYP 2 PLCS (SEE NOTE 5)



-1, -3, -5 LATCH (SHOWN)  
-2, -4, -6 LATCH (OPP.)

- BOLT IS SPRING LOADED TO THE EXTENDED POSITION. KEYING IS T4619 TYPE, AND MAY BE REMOVED IN EITHER LOCKED OR UNLOCKED POSITION.
- MOUNTING HOLE PATTERN SAME FOR ODD AND EVEN DASH NUMBERS.
- THE FOLLOWING STATIC LOAD TEST DATA IS FOR REFERENCE USE ONLY. IT IS PROVIDED FOR CUSTOMER ENGINEERING TO DETERMINE THE GENERAL SUITABILITY OF THE PRODUCT FOR ITS INTENDED USE. ALTHOUGH SKYLOCK IS PROVIDING THE REFERENCE TEST DATA, THE CUSTOMER IS ULTIMATELY RESPONSIBLE FOR LOAD TEST CERTIFICATION OF THE PRODUCT FOR ITS INTENDED APPLICATION AND INSTALLATION. NOMINAL LOAD POINT IS .250" FROM TIP OF BOLT. REFERENCE STATIC LOAD IS 800 LBS. MAX. AT NOMINAL LOAD POINT.
- DECORATIVE FINISH REF.: SATIN BUFF TOP OF CASE, HANDLE, AND LOCK ASSY
- FINISH REF.: BRASS; SATIN CHROME PLATE PER QQ-C-320, TYPE I, CLASS 1., CRES.; PASSIVATE. CRES.; PASSIVATE PER AMS-QQ-P-35, TYPE VI, VII OR EQUIV.
- MAT'L REF.: LOCK CYLINDER; ALLOY 360 FREE MACHINING BRASS PER ASTM B16 OR EQUIV.; ALL OTHER COMP'S: 304, 303/304 CRES, COND. A, PER AMS-5639E (304), ASTM-A240 (302/304), OR EQUIV.

NOTES: UNLESS OTHERWISE SPECIFIED.

	-6	LATCH	(OPP., FLAP SPRING LOADED CLOSED)	120902-406
	-5	LATCH	(SHOWN, FLAP SPRING LOADED CLOSED)	120902-405
	-4	LATCH	(OPP., FLAP SPRING LOADED OPEN)	120902-404
	-3	LATCH	(SHOWN, FLAP SPRING LOADED OPEN)	120902-403
	-2	LATCH	(OPP., NO FLAP FLAP SPRING)	120902-402
	-1	LATCH	(SHOWN, NO FLAP SPRING)	120902-401
	DASH NO.		DESCRIPTION	MAKE FROM

PARTS LIST				
UNLESS OTHERWISE SPECIFIED	DRAWN BY T. CSIK	8-3-94	SKYLOCK INDUSTRIES INCORPORATED MONROVIA CALIFORNIA U. S. A.	
DIMENSIONS ARE IN INCHES	CHECKED			
TOLERANCES ON	ENGINEER			
DECIMALS ANGLES DRILLED HOLES	MFG			
.X ± .1	QC		<h1>LATCH</h1>	
.XX ± .03				
.XXX ± .010				
DO NOT SCALE THIS DRAWING				
MATERIAL - FINISH	USED ON	SIZE	CODE IDENT. NO.	DRAWING NO.
NEXT ASSY		C	51941	20902
MANUFACTURE IN ACCORDANCE WITH SKYLOCK IND. INC., QUALITY CONTROL MANUAL QC.001		SCALE	1:1	VT.
				SHEET 1 OF 1