

4

3

2

1

REVISIONS				
ZONE	LTR	DESCRIPTION	DATE	APPROVED
	NC	PRODUCTION RELEASE	11-28-94	T. CSIK

D

D

C

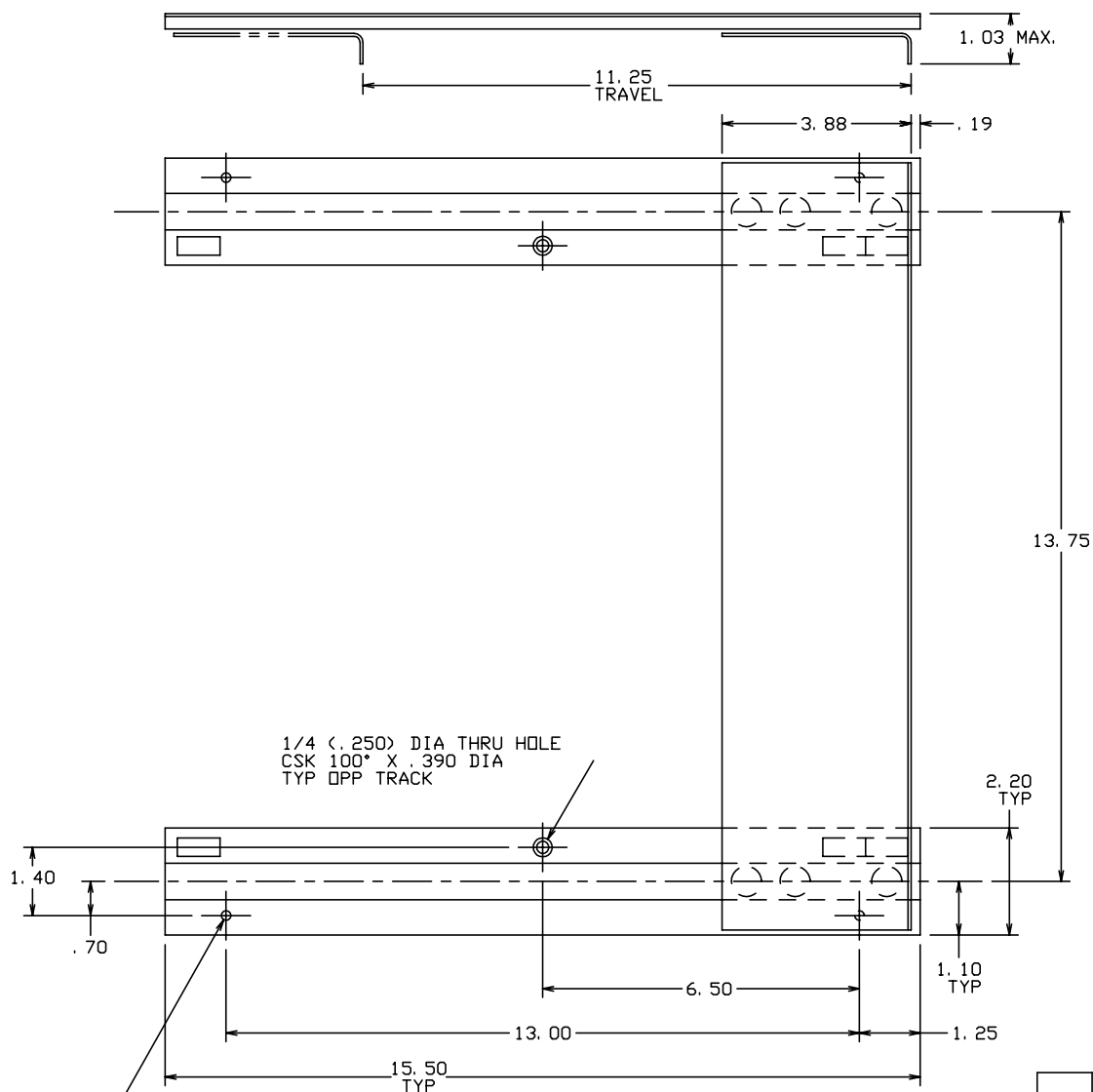
C

B


B

A

A



- 4. STOPS IN TIE PLATE TO BE REMOVABLE.
 - 3. FINISH: ALUM - CLEAR ANODIZE, CRES - PASSIVATE.
 - 2. MAT'L: RAIL AND STOPS - 6061-T6 ALUM ALLOY,
TIE PLATE AND CHANNEL - 2024-T6 ALUM ALLOY,
ROLLER ASSY - NYLON AND CRES.
 - 1. REMOVE ALL BURRS AND BREAK SHARP EDGES.
- NOTES: UNLESS OTHERWISE SPECIFIED.

		-1	SLIDE ASSY		
PART NO.	DESCRIPTION	MATERIAL		SIZE	SPECIFICATION
PARTS LIST					
UNLESS OTHERWISE SPECIFIED		DRAWN BY	T. CSIK	11-28-94	 SKYLOCK INDUSTRIES INCORPORATED MONROVIA CALIFORNIA U. S. A.
DIMENSIONS ARE IN INCHES		CHECKED			
TOLERANCES ON		ENGINEER			
DECIMALS ANGLES DRILLED HOLES		PROJECT			
.X ± .1 ± 0° 30' AND 10387		APPROVAL	T. CSIK	11-28-94	SLIDE ASSY
.XX ± .03		APPROVAL			
.XXX ± .010		APPROVAL			
DO NOT SCALE THIS DRAWING		USED ON			
MATERIAL - FINISH	USED ON	SIZE	CODE IDENT. NO.	DRAWING NO.	REV.
NEXT ASSY		C	51941	20906	NC
FINAL ASSY		SCALE	1:2	WT.	SHEET 1 OF 1

4

3

2

1