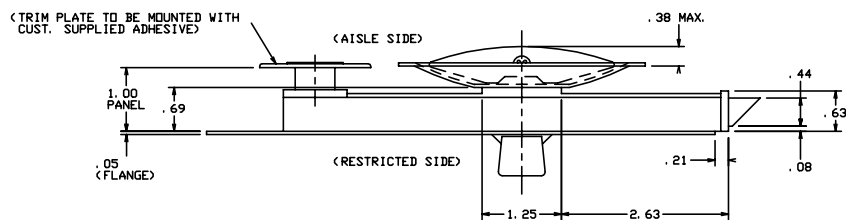
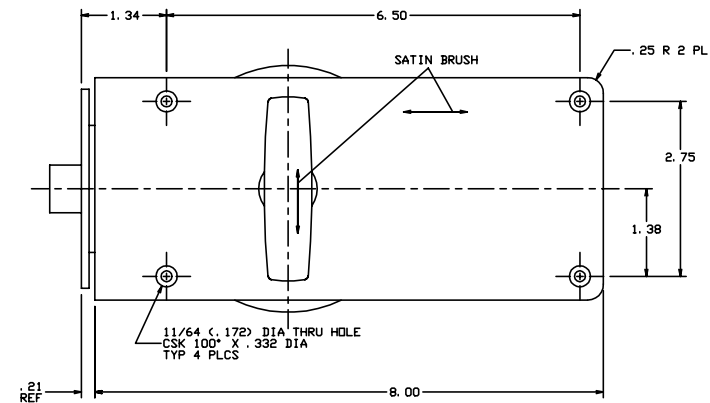
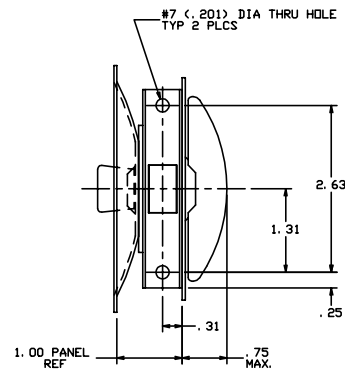
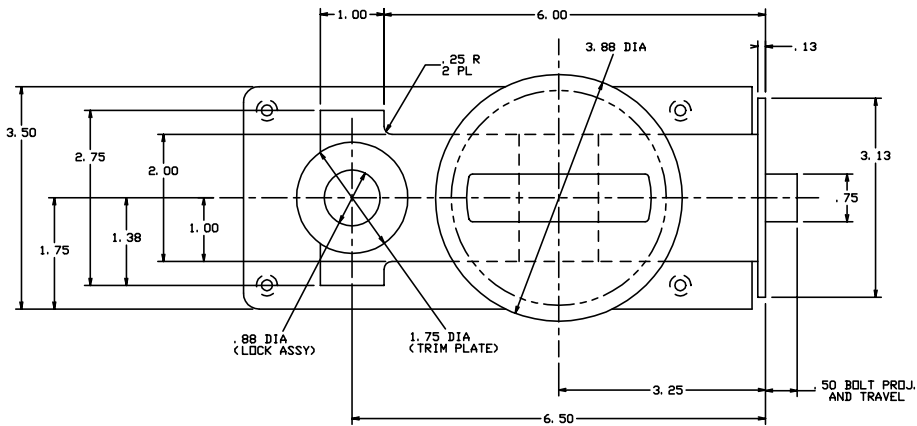


THE INFORMATION AND DESIGN HEREIN WAS ORIGINATED BY AND IS THE PROPERTY OF SOLIDIX INDUSTRIES INCORPORATED. SOLIDIX INDUSTRIES INCORPORATED RESERVES ALL PATENT, PROPRIETARY, DESIGN MANUFACTURING INFORMATION, USE AND SALES RIGHTS THEREIN, AND TO ANY ARTICLE DEVELOPED THEREIN EXCEPT TO THE EXTENT RIGHTS ARE EXPRESSLY GRANTED TO OTHERS. THE FOREGOING DOES NOT APPLY TO NON-PATENTABLE PARTS.

REVISIONS				
ZONE	LTR	DESCRIPTION	DATE	APPROVED
NC		PRODUCTION RELEASE	10-12-95	T. C.



- TO ORDER LATCH WITH REVERSE BOLT BEVEL, ADD SUFFIX '-R' TO PART NO. EXAMPLE 20917-401-R.
- SEE DWG. 20258 FOR STRIKER.
- OPERATION: HANDLE ON AISLE SIDE RETRACTS BOLT ONLY WHEN LOCK ASSY IS TURNED TO THE UNLOCKED POSITION. BEING 10-60370-1 OR EQUIV. KEY OPERATES LOCK ASSY, AND IS REMOVABLE IN THE LOCKED POSITION ONLY. HANDLE ON THE RESTRICTED SIDE RETRACTS BOLT AND IS ALWAYS OPERATIONAL. BOLT IS SPRING LOADED AND ALWAYS FREE TO LATCH.
- DECORATIVE FINISH: SATIN BRUSH - DIRECTION INDICATED.
- PROTECTIVE FINISH: ALUM.; CLEAR ANODIZE, BRASS; SATIN CHROME, CRES; PASSIVATE.
- MATERIAL: KNOB, ESCUTCHEON, CASE AND TRIM PLATE; ALUM. ALLOY, BUSHINGS AND BOLT; DELRIN, LOCK ASSY; BRASS, ALL OTHER COMP'S; ST. STL.

NOTES: UNLESS OTHERWISE SPECIFIED.

	-402	DOOR LOCK ASSY	(DPP. -401)	
	-401	DOOR LOCK ASSY	(SHOWN)	
QTY REQD	PART NO.	DESCRIPTION	MATERIAL, SIZE, SPECIFICATION	ITEM NO.
PARTS LIST				
UNLESS OTHERWISE SPECIFIED		DRAWN BY	T. CSIK	10-10-95
DIMENSIONS ARE IN INCHES		CHECKED		
TOLERANCES ON		ENGINEER		
DECIMALS	ANGLES	DILLED HOLES		
.005	± 30'	AND 10007		
.0005		PROJECT		
DO NOT SCALE THIS DRAWING		APPROVAL	T. CSIK	10-10-95
MATERIAL - FINISH		USED ON		
NEXT ASSY				
FINAL ASSY				
SIZE	D	CODE IDENT. NO.	51941	DRAWING NO.
				20917
				REV. NC
SCALE	1:1	VT.		SHEET 1 OF 2

SOLIDIX INDUSTRIES INCORPORATED  
MORNINGVIEW, CALIFORNIA

DOOR LOCK ASSY

