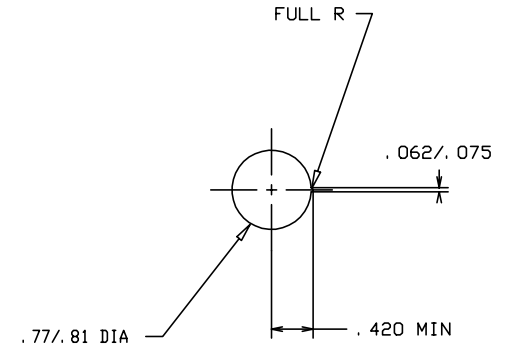
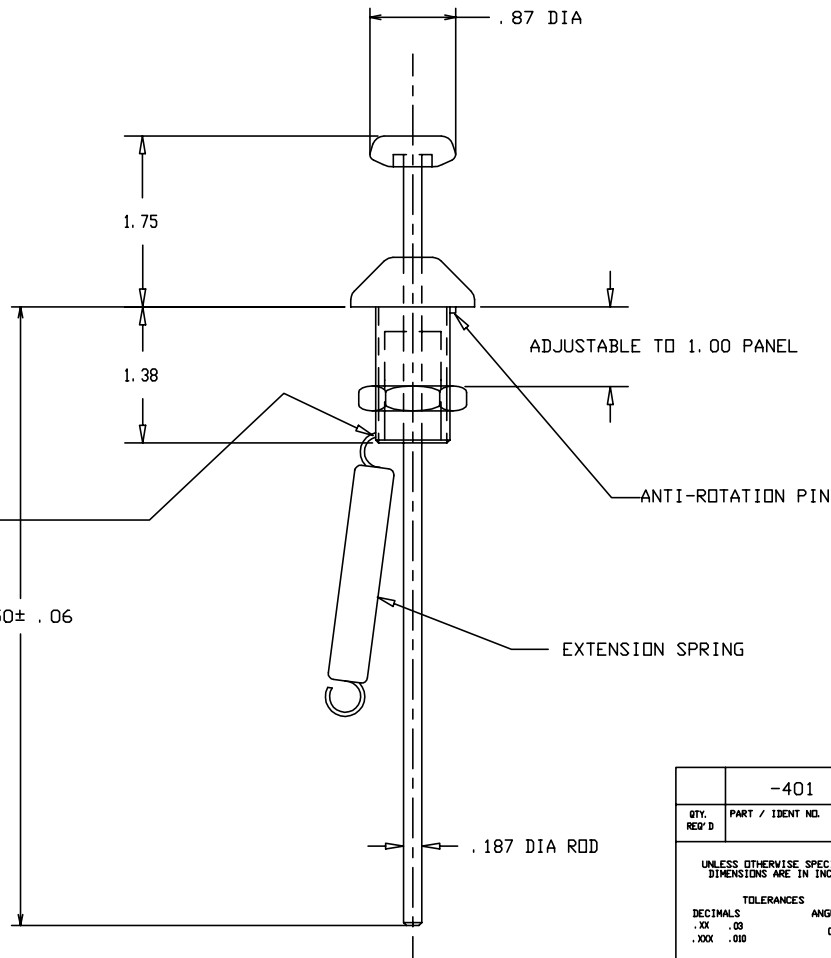
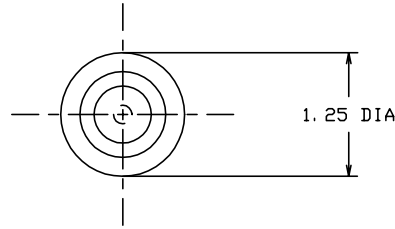


THE INFORMATION AND DESIGN HEREIN WAS ORIGINATED BY AND IS THE PROPERTY OF SKYLOCK INDUSTRIES INCORPORATED. SKYLOCK INDUSTRIES INCORPORATED RESERVES ALL PATENT, PROPRIETARY, DESIGN MANUFACTURING, REPRODUCTION, USE AND SALES RIGHTS THEREIN, AND TO ANY ARTICLE DISCLOSED THEREIN EXCEPT TO THE EXTENT RIGHTS ARE EXPRESSLY GRANTED TO OTHERS. THE FOREGOING DOES NOT APPLY TO VENDOR PROPRIETARY PARTS.

REVISIONS				
ZONE	LTR.	DESCRIPTION	DATE	APPROVED
	NC	PRODUCTION RELEASE	5. 4. 92	SC

NOTES: UNLESS OTHERWISE SPECIFIED

1. REMOVE ALL BURRS AND SHARP EDGES
2. MAT'L: BODY; BRASS; HANDLE, ACTUATOR ROD, SPRING, AND NUT; CRES
3. FINISH: BRASS; VISIBLE SURFACES TO BE SATIN CHROME PLATED; CRES; PASSIVATE



-401		DRAIN ACTUATOR		
QTY. REQ'D	PART / IDENT NO.	DESCRIPTION	MATERIAL / SPECIFICATION	ITEM NO.
UNLESS OTHERWISE SPECIFIED DIMENSIONS ARE IN INCHES		CONTRACT NO.	SKYLOCK INDUSTRIES INCORPORATED MONROVIA, CALIFORNIA, USA	
TOLERANCES		CUSTOMER		
DECIMALS	.XX .03	DRAWN BY	ACTUATOR, DRAIN	
ANGULAR	.XXX .010	DATE		
DO NOT SCALE DRAWING		CHECK		
NEXT ASSY	FINAL ASSY	DESIGN		
USED ON	DESIGN ACTIVITY		SIZE	REV.
FINISH	ACT WT	CALC WT	C 51941	NC
			SCALE 1/1	SHEET 1 OF 1
			RELEASE DATE 5. 4. 92	

D
C
B
A

D
C
B
A