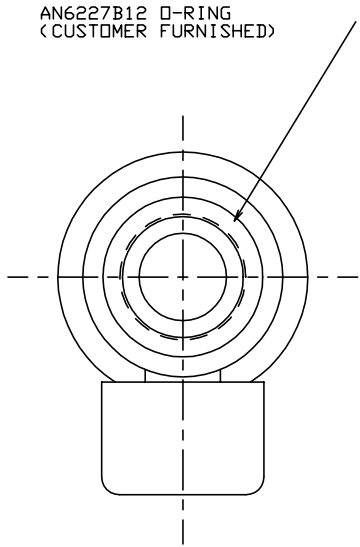
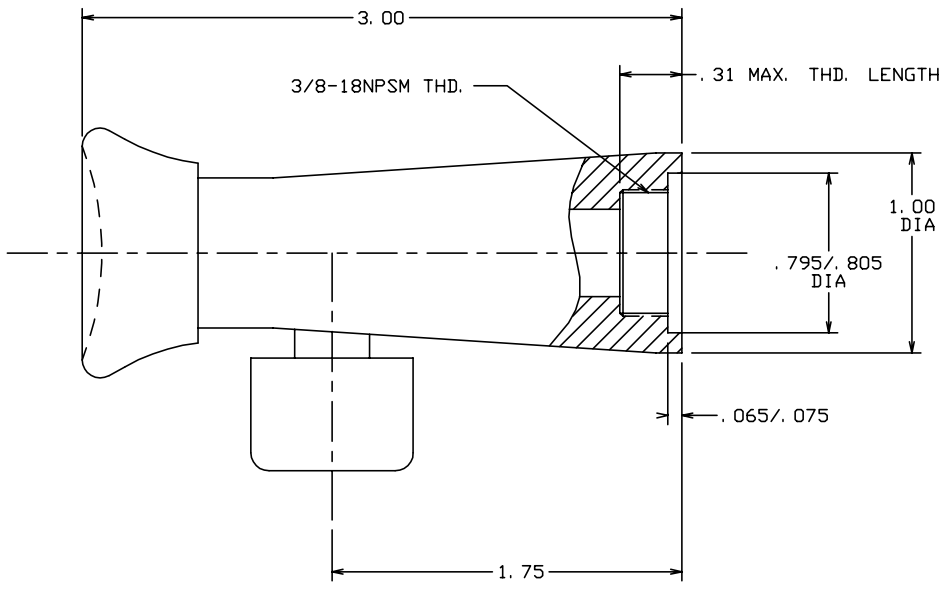
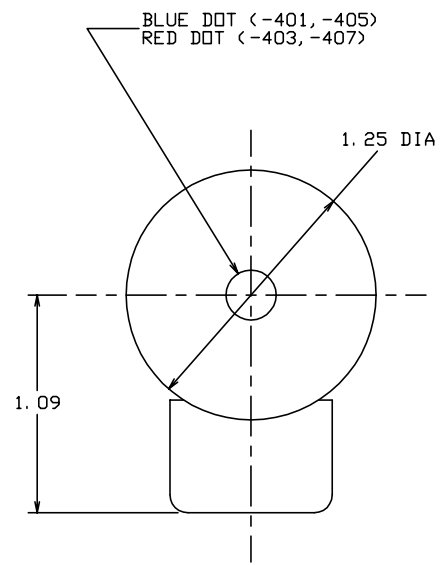


THE INFORMATION AND DESIGN HEREIN WAS ORIGINATED BY AND IS THE PROPERTY OF SKYLOCK INDUSTRIES INCORPORATED. SKYLOCK INDUSTRIES INCORPORATED RESERVES ALL PATENT, PROPRIETARY, DESIGN MANUFACTURING, REPRODUCTION, USE AND SALES RIGHTS THERE TO, AND TO ANY ARTICLE DISCLOSED THEREIN EXCEPT TO THE EXTENT RIGHTS ARE EXPRESSLY GRANTED TO OTHERS. THE FOREGOING DOES NOT APPLY TO VENDOR PROPRIETARY PARTS.

FLUID MEDIA	TYPE	OPERATING PRESSURE	OPERATING TEMP.
WATER	SELF VENTING & BLEEDING	0-120 PSIG	35°F TO 225°F


REVISIONS				
ZONE	LTR	DESCRIPTION	DATE	APPROVED
	NC	PRODUCTION RELEASE	10-9-92	T. CSIK
	A	ADDED -405, -407	3-1-95	T. CSIK

- NOTES: UNLESS OTHERWISE SPECIFIED.
- MAT'L: BUTTON; BRASS (-401, -403), BUTTON; WHITE DELRIN (-405, -407), HOUSING; BRASS VALVE ASSY; CRES.
 - DECORATIVE FINISH: BRIGHT CHROME PLATE, EXCEPT BUTTON ON -405, -407.



	-407	SPIGOT ASSY			
	-405	SPIGOT ASSY			
	-403	SPIGOT ASSY			
	-401	SPIGOT ASSY			
QTY REQD	PART NO.	DESCRIPTION	MATERIAL	SIZE SPECIFICATION	ITEM NO.

PARTS LIST

UNLESS OTHERWISE SPECIFIED	DRAWN BY T. CSIK	10-9-92	 SKYLOCK INDUSTRIES INCORPORATED MONROVIA CALIFORNIA U. S. A.		
DIMENSIONS ARE IN INCHES	CHECKED				
TOLERANCES ON	ENGINEER				
DECIMALS ANGLES DRILLED HOLES	PROJECT				
.X ± .1 ± 0° 30' AND 10387	APPROVAL T. CSIK	10-9-92	SPIGOT ASSY		
.XX ± .03	APPROVAL				
.XXX ± .010					
DO NOT SCALE THIS DRAWING					
MATERIAL - FINISH	USED ON	SIZE	CODE IDENT. NO.	DRAWING NO.	REV.
NEXT ASSY		C	51941	90065	A
FINAL ASSY		SCALE 1/2	WT.	SHEET 1	OF 1