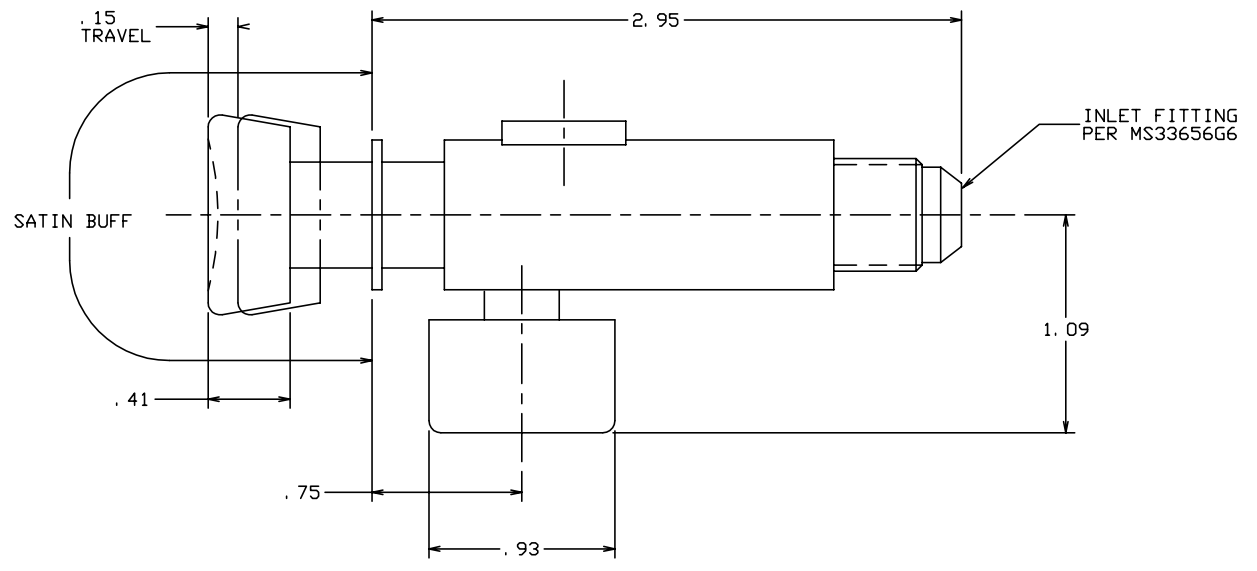
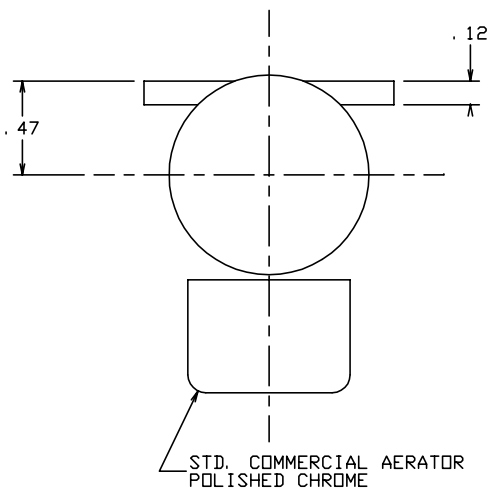
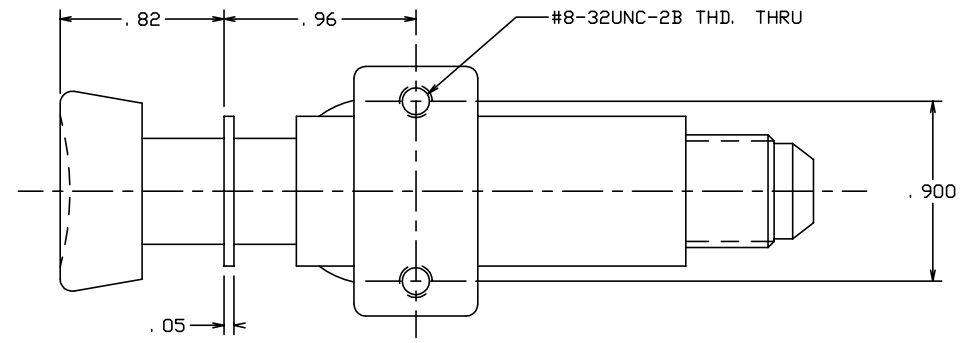


THE INFORMATION AND DESIGN HEREIN WAS ORIGINATED BY AND IS THE PROPERTY OF SKYLOCK INDUSTRIES INCORPORATED. SKYLOCK INDUSTRIES INCORPORATED RESERVES ALL PATENT, PROPRIETARY, DESIGN MANUFACTURING, REPRODUCTION, USE AND SALES RIGHTS THERE TO, AND TO ANY ARTICLE DISCLOSED THEREIN EXCEPT TO THE EXTENT RIGHTS ARE EXPRESSLY GRANTED TO OTHERS. THE FOREGOING DOES NOT APPLY TO VENDOR PROPRIETARY PARTS.

REVISIONS				
ZONE	LTR	DESCRIPTION	DATE	APPROVED
	A	ADDED FLOW RATE	10-20-93	T. CSIK

NOTES: UNLESS OTHERWISE SPECIFIED,
 1. MAT'L: ALL COMPONENTS ST. STL. EXCEPT AERATOR AND SEALS.



-401		SPIGOT ASSY			
QTY REQD	PART NO.	DESCRIPTION	MATERIAL	SIZE	SPECIFICATION
PARTS LIST					
UNLESS OTHERWISE SPECIFIED			DRAWN BY T. CSIK 10-12-92		
DIMENSIONS ARE IN INCHES			CHECKED		
TOLERANCES ON			ENGINEER		
DECIMALS ANGLES DRILLED HOLES			PROJECT		
.X ± .1 ± 0° 30' AND 10387			APPROVAL T. CSIK 10-12-92		
.XX ± .03			APPROVAL		
.XXX ± .010					
DO NOT SCALE THIS DRAWING					
MATERIAL - FINISH			USED ON		SIZE
NEXT ASSY					CODE IDENT. NO.
FINAL ASSY					DRAWING NO.
					REV.
			C 51941		90067
			SCALE 1/2		WT.
			SHEET 1		OF 1

FLUID MEDIA	TYPE	OPERATING PRESSURE	OPERATING TEMP.	FLOW
POTABLE WATER	SELF VENTING & BLEEDING	0-120 PSIG	35°F TO 225°F	100/140 OZ. /MIN. AT 70°F AND 30 P. S. I. INLET PRESSURE