

4

3

2

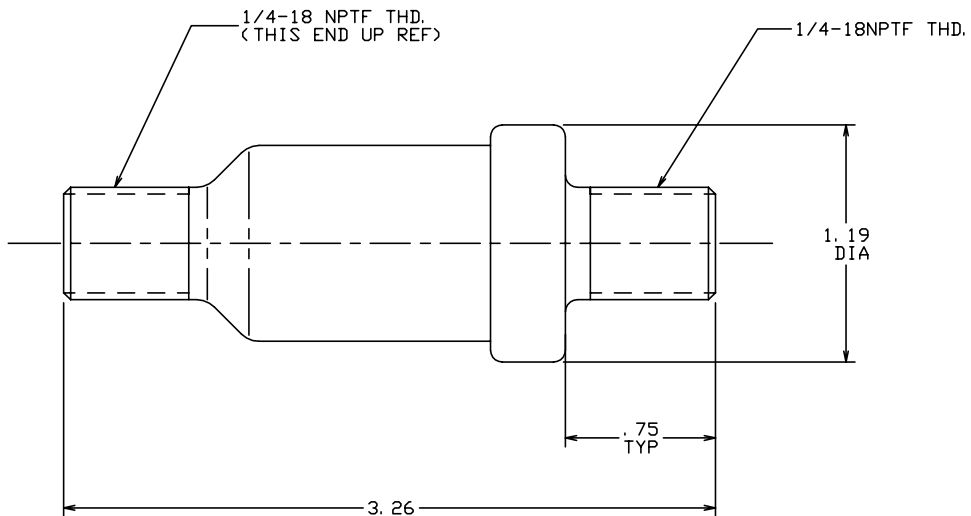
1

THE INFORMATION AND DESIGN HEREIN WAS ORIGINATED BY AND IS THE PROPERTY OF SKYLOCK INDUSTRIES INCORPORATED. SKYLOCK INDUSTRIES INCORPORATED RESERVES ALL PATENT, PROPRIETARY, DESIGN MANUFACTURING, REPRODUCTION, USE AND SALES RIGHTS THERE TO, AND TO ANY ARTICLE DISCLOSED THEREIN EXCEPT TO THE EXTENT RIGHTS ARE EXPRESSLY GRANTED TO OTHERS. THE FOREGOING DOES NOT APPLY TO VENDOR PROPRIETARY PARTS.

REVISIONS				
ZONE	LTR	DESCRIPTION	DATE	APPROVED
	NC	PRODUCTION RELEASE	3-30-93	T. CSIK
	A	DIM. 1.19 DIA WAS 1.06 DIA, INT. FLOAT MAT'L WAS ST. STL.	6-2-93	T. CSIK

NOTES: UNLESS OTHERWISE SPECIFIED.

- REMOVE ALL BURRS AND BREAK SHARP EDGES.
- MAT'L: EXTERNAL HOUSING; ST. STL., INTERNAL FLOAT; NYLON, O-RING SEALS; NITRILE RUBBER.
- DESCRIPTION: THIS VALVE IS DESIGNED TO ALLOW THE VENTING OF AIR FROM A WATER RESERVOIR DURING FILLING AND DRAINING, AND TO CLOSE WHEN THE RESERVOIR IS FULL OF POTABLE WATER.
THE VALVE CONTAINS A FLOAT ASSY THAT REMAINS IN THE OPEN POSITION DURING FILLING AND DRAINING, AND CLOSES (OR SEALS) WHEN THE WATER LEVEL BEGINS FILLING THE VENT VALVE AND CAUSES THE FLOAT TO RISE AND SEAL.
- INSTALLATION: THE VALVE MUST BE INSTALLED IN A VERTICAL POSITION, WITH THE INLET FITTING UP.



		-401	VENT VALVE		
QTY REQD	PART NO.	DESCRIPTION	MATERIAL SIZE SPECIFICATION		ITEM NO.
PARTS LIST					
UNLESS OTHERWISE SPECIFIED			DRAWN BY	T. CSIK	3-30-93
DIMENSIONS ARE IN INCHES			CHECKED		
TOLERANCES ON			ENGINEER		
DECIMALS ANGLES DRILLED HOLES			PROJECT		
.X ± .1 ± 0° 30' AND 10387			APPROVAL	T. CSIK	3-30-93
.XX ± .03			APPROVAL		
.XXX ± .010					
DO NOT SCALE THIS DRAWING					
MATERIAL - FINISH			USED ON	SIZE	CODE IDENT. NO. DRAWING NO.
NEXT ASSY				C	51941 90069
FINAL ASSY				SCALE	1: 1
			WT.	SHEET 1 OF 1	

FLUID MEDIA	OPERATING PRESSURE	OPERATING TEMP.
POTABLE WATER	0-250 PSIG	35°F TO 200°F

4

3

2

1