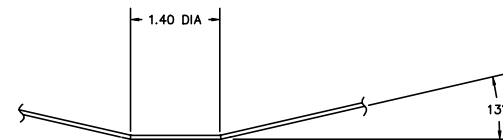
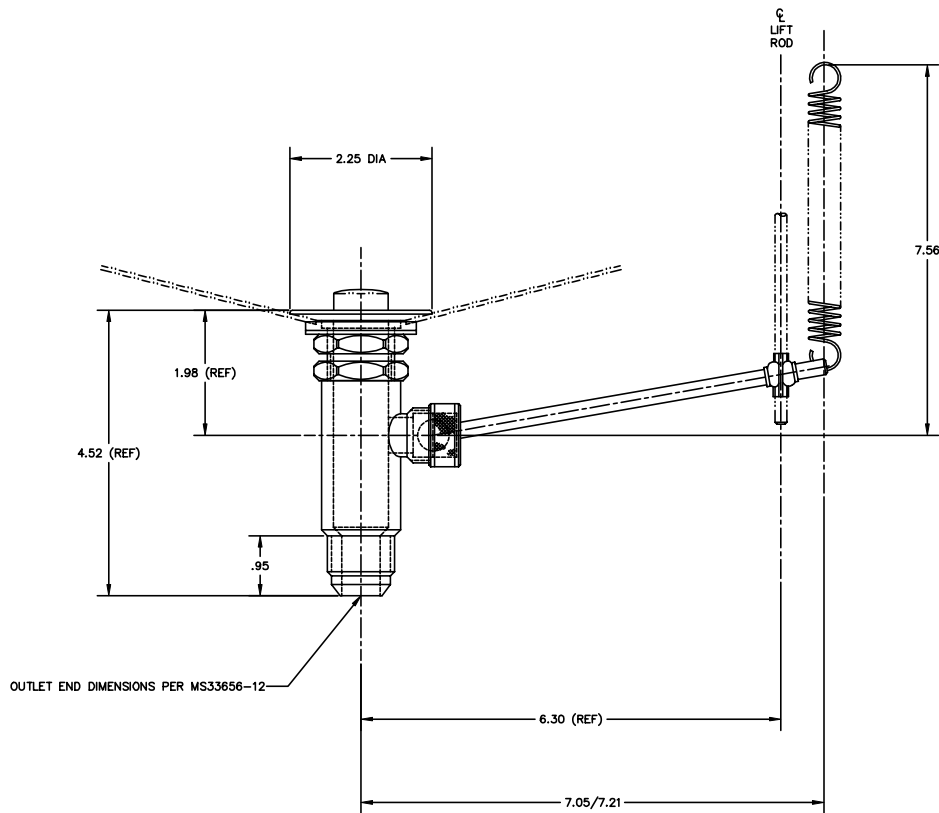


THE INFORMATION AND DESIGN HEREIN WAS ORIGINATED BY AND IS THE PROPERTY OF SKYLOCK INDUSTRIES INCORPORATED. SKYLOCK INDUSTRIES INCORPORATED RESERVES ALL PATENT, PROPRIETARY, DESIGN, MANUFACTURING, REPRODUCTION, USE AND SALES RIGHTS HEREIN, AND TO ANY ARTICLE DISCLOSED HEREIN EXCEPT TO THE EXTENT RIGHTS ARE EXPRESSLY GRANTED TO OTHERS. THE FOREGOING DOES NOT APPLY TO UNCOPY PROPRIETARY PARTS.

REVISIONS:				
ZONE	LTR.	DESCRIPTION	DATE	APPROVED
	NC	PRODUCTION RELEASE	9.22.93	SC

NOTES: UNLESS OTHERWISE SPECIFIED

1. REMOVE ALL BURRS AND SHARP EDGES
2. MATL: SINK FLANGE, BODY, DRAIN TUBE, ACTUATING ROD, AND POPPET; CRES; SEALS AND GASKETS; RUBBER; ACTUATING BALL AND HOUSING; NYLON
3. FINISH: ALL VISIBLE SURFACES SHALL BE SATIN BRUSHED
4. TENSION INCLUDED WITH ASSY



SINK-DRAIN CUTOUT

-401		DRAIN ASSY			
QTY REQD	PART / IDENT NO.	DESCRIPTION	MATERIAL / SPECIFICATION		ITEM NO.
		UNLESS OTHERWISE SPECIFIED: DIMENSIONS ARE IN INCHES		CONTRACT NO.	
TOLERANCES		ANGULAR	DRAWN BY		DATE
DIMENSIONS		±.03	S. CSIK		
HOLE		±.010	CHECK		
NEXT ASSY		FINAL ASSY	DESIGN		
USED ON		DESIGN ACTIVITY		SIZE	FORM NO.
FINISH		ACT WT	CALC WT	CUSTOMER	SCALE
				1/1	RELEASE DATE
				9.22.93	SHEET 1 OF 1
				SKYLOCK INDUSTRIES INCORPORATED MONROVA, CALIFORNIA, USA	90079
				DRAIN ASSY, SINK	NC