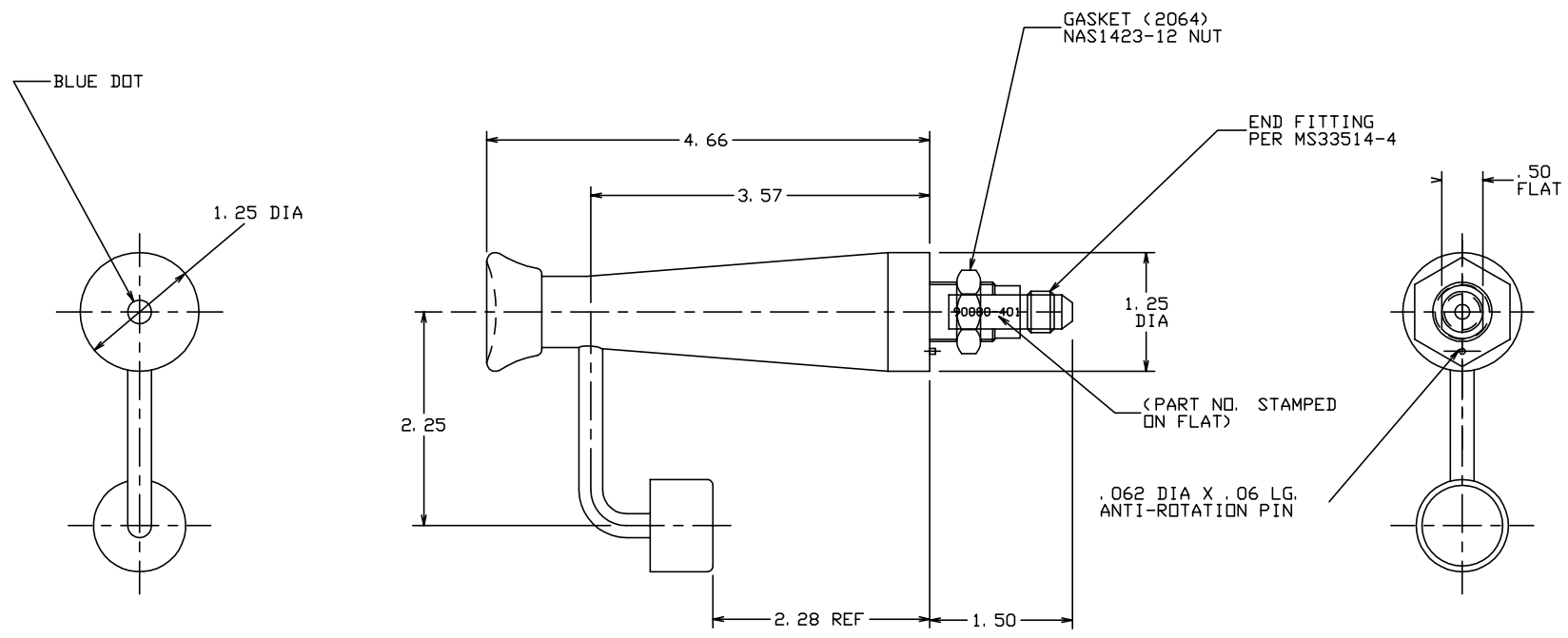



THE INFORMATION AND DESIGN HEREIN WAS ORIGINATED BY AND IS THE PROPERTY OF SKYLOCK INDUSTRIES INCORPORATED. SKYLOCK INDUSTRIES INCORPORATED RESERVES ALL PATENT, PROPRIETARY, DESIGN MANUFACTURING, REPRODUCTION, USE AND SALES RIGHTS THERE TO, AND TO ANY ARTICLE DISCLOSED THEREIN EXCEPT TO THE EXTENT RIGHTS ARE EXPRESSLY GRANTED TO OTHERS. THE FOREGOING DOES NOT APPLY TO VENDOR PROPRIETARY PARTS.

REVISIONS				
ZONE	LTR	DESCRIPTION	DATE	APPROVED
	NC	PRODUCTION RELEASE	2-22-94	T. CSIK

- NOTES: UNLESS OTHERWISE SPECIFIED.
- MAT'L: SPIGOT BODY, AND PUSH BUTTON; BRASS, VALVE ASSY; CRES.
  - DECORATIVE FINISH: BRIGHT CHROME PLATE.



-401		SPIGOT ASSY				
QTY REQD	PART NO.	DESCRIPTION	MATERIAL	SIZE	SPECIFICATION	ITEM NO.
PARTS LIST						
UNLESS OTHERWISE SPECIFIED			DRAWN BY	T. CSIK	2-1-94	 SKYLOCK INDUSTRIES INCORPORATED MONROVIA CALIFORNIA U. S. A.
DIMENSIONS ARE IN INCHES			CHECKED	S. CSIK	2-22-94	
TOLERANCES ON			ENGINEER	T. CSIK	2-1-94	
DECIMALS ANGLES DRILLED HOLES			PROJECT			
.X ± .1 ± 0° 30' AND 10387			APPROVAL	T. SOUZA	2-22-94	
.XX ± .03			SPIGOT ASSY			
.XXX ± .010						
DO NOT SCALE THIS DRAWING						
MATERIAL - FINISH			USED ON	SIZE	CODE IDENT. NO.	DRAWING NO.
NEXT ASSY				C	51941	90080
FINAL ASSY				SCALE	1/1 & NOTED	SHEET 1 OF 1

FLUID MEDIA	TYPE	OPERATING PRESSURE	OPERATING TEMP.	FLOW
POTABLE WATER	SELF VENTING & BLEEDING	0-125 PSIG	35°F TO 225°F	100/140 OZ. /MIN. AT 70°F AND 30 P. S. I. INLET PRESSURE