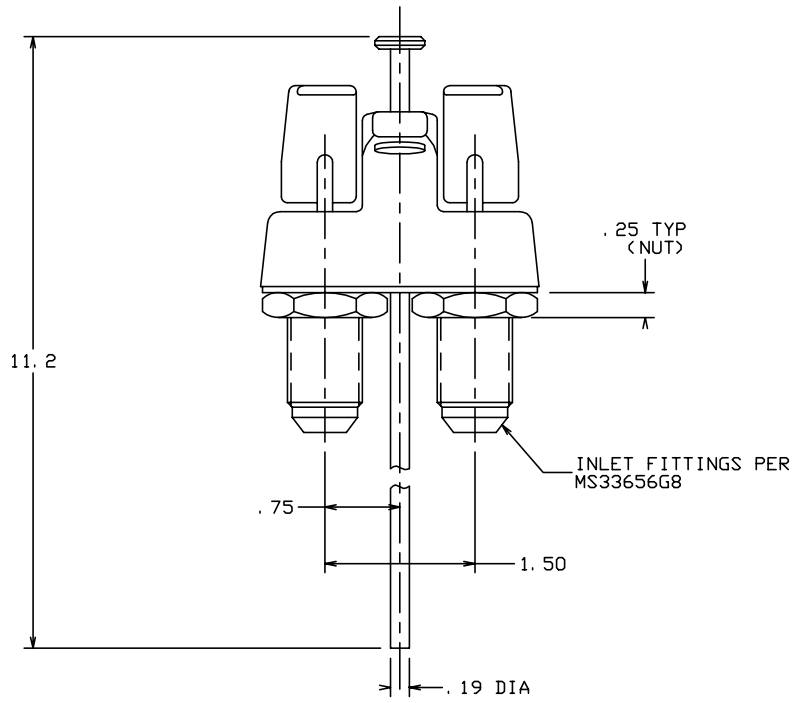
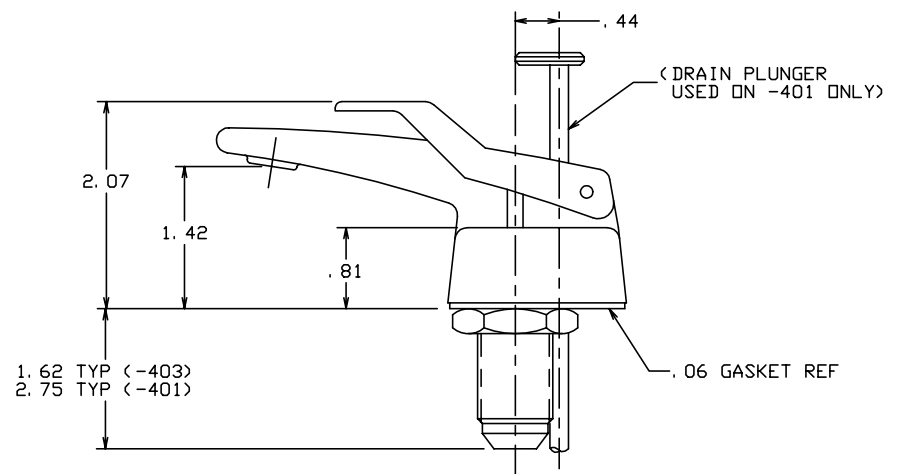
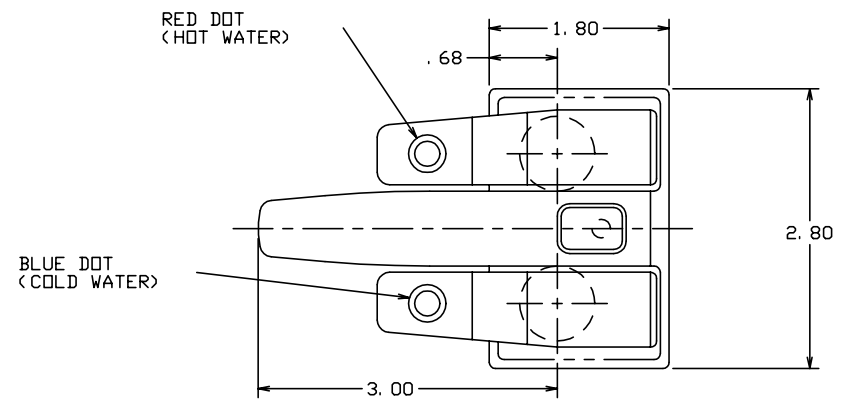


THE INFORMATION AND DESIGN HEREIN WAS ORIGINATED BY AND IS THE PROPERTY OF SKYLOCK INDUSTRIES INCORPORATED. SKYLOCK INDUSTRIES INCORPORATED RESERVES ALL PATENT, PROPRIETARY, DESIGN MANUFACTURING, REPRODUCTION, USE AND SALES RIGHTS THERE TO, AND TO ANY ARTICLE DISCLOSED THEREIN EXCEPT TO THE EXTENT RIGHTS ARE EXPRESSLY GRANTED TO OTHERS. THE FOREGOING DOES NOT APPLY TO VENDOR PROPRIETARY PARTS.

REVISIONS				
ZONE	LTR	DESCRIPTION	DATE	APPROVED
	D	REVISED AND REDRAWN PER CUST. REQUEST, AND FAX DATED 10-31-94	10-31-94	T. CSIK

NOTES: UNLESS OTHERWISE SPECIFIED.

- MAT'L: FAUCET BODY, HANDLES, PLUNGER, VALVES - 300 SERIES CRES.; THREADED FITTINGS, NUTS - BRASS; GASKET AND O-RINGS - RUBBER.
- DECORATIVE FINISH: SATIN BRUSH APPEARANCE SURFACES.



QTY REQD	PART NO.	DESCRIPTION	MATERIAL	SIZE	SPECIFICATION	ITEM NO.
	-403	FAUCET ASSY			(NO DRAIN PLUNGER)	
	-401	FAUCET ASSY				

PARTS LIST	
UNLESS OTHERWISE SPECIFIED	DRAWN BY T. CSIK 3-18-94
DIMENSIONS ARE IN INCHES	CHECKED S. CSIK 3-18-94
TOLERANCES ON	ENGINEER T. CSIK 3-18-94
DECIMALS ANGLES DRILLED HOLES	PROJECT
.X ± .1 ± 0° 30' AND 10387	APPROVAL T. SOUZA 3-18-94
.XX ± .03	
.XXX ± .010	
DO NOT SCALE THIS DRAWING	APPROVAL

MATERIAL - FINISH		USED ON	SIZE	CODE IDENT. NO.	DRAWING NO.	REV.
NEXT ASSY			C	51941	90083	D
FINAL ASSY			SCALE	1/1	WT.	SHEET 1 OF 1

FLUID MEDIA	TYPE	OPERATING PRESSURE	OPERATING TEMP.	FLOW
POTABLE WATER	SELF VENTING & BLEEDING	0-125 PSIG	35°F TO 225°F	100/140 OZ. /MIN. AT 70°F AND 30 P. S. I. INLET PRESSURE