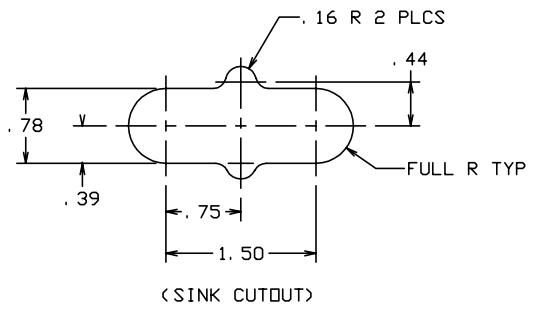


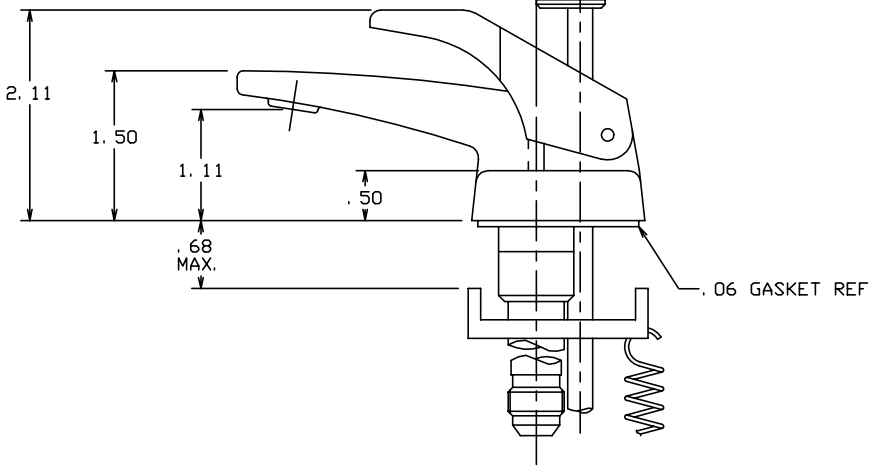
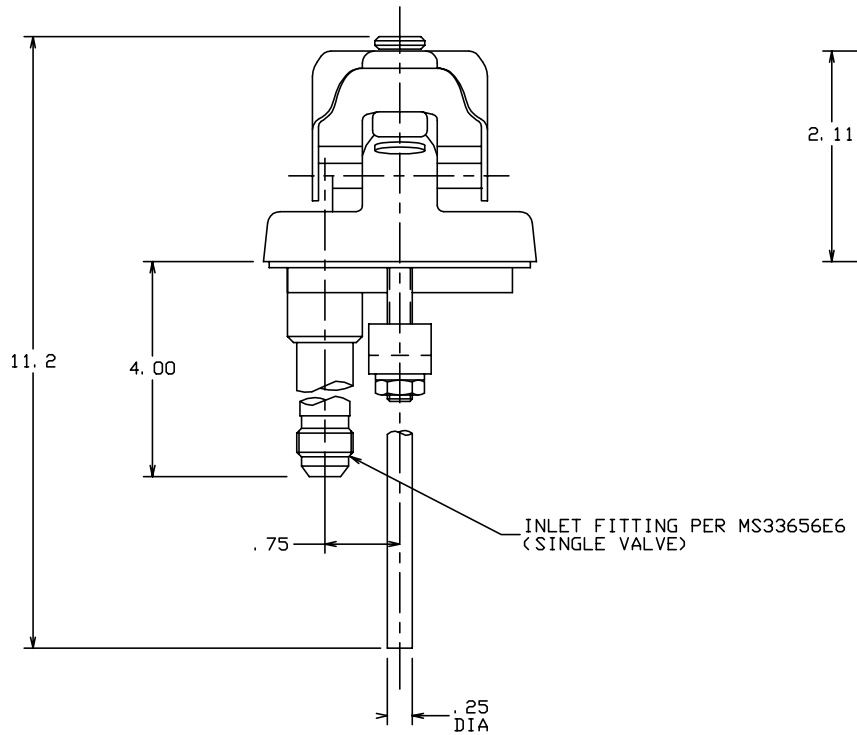
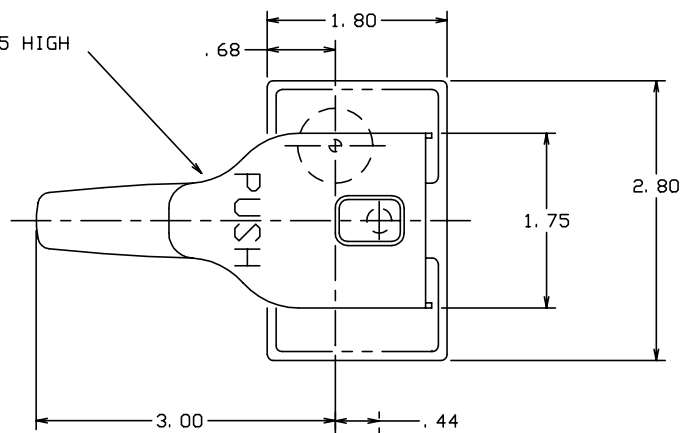
THE INFORMATION AND DESIGN HEREIN WAS ORIGINATED BY AND IS THE PROPERTY OF SKYLOCK INDUSTRIES INCORPORATED. SKYLOCK INDUSTRIES INCORPORATED RESERVES ALL PATENT, PROPRIETARY, DESIGN MANUFACTURING, REPRODUCTION, USE AND SALES RIGHTS THERE TO, AND TO ANY ARTICLE DISCLOSED THEREIN EXCEPT TO THE EXTENT RIGHTS ARE EXPRESSLY GRANTED TO OTHERS. THE FOREGOING DOES NOT APPLY TO VENDOR PROPRIETARY PARTS.

REVISIONS				
ZONE	LTR	DESCRIPTION	DATE	APPROVED
	NC	PRODUCTION RELEASE	1-25-95	T. CSIK
	A	PER CUST. REQUEST, REVISED INLET WAS MS33514G6	5-16-95	T. CSIK
	B	REVISED OPERATING REQUIREMENTS PER CUST. DEFINITION ON 5-23-96	5-24-96	T. CSIK

- NOTES: UNLESS OTHERWISE SPECIFIED.
- MAT'L: FAUCET BODY, HANDLE, PLUNGER, VALVE - 300 SERIES CRES.; GASKET AND O-RINGS - RUBBER.
 - DECORATIVE FINISH: SATIN BRUSH APPEARANCE SURFACES.



ENGRAVE LETTERING .25 HIGH
COLOR - BLUE



-401 FAUCET ASSY					
QTY REQD	PART NO.	DESCRIPTION	MATERIAL	SIZE	SPECIFICATION
PARTS LIST					
UNLESS OTHERWISE SPECIFIED		DRAWN BY T. CSIK	1-25-95	SKYLOCK INDUSTRIES INCORPORATED MONROVIA CALIFORNIA U. S. A.	
DIMENSIONS ARE IN INCHES		CHECKED			
TOLERANCES ON		ENGINEER			
DECIMALS ANGLES DRILLED HOLES		PROJECT			
.X ± .1 ± 0° 30' AND 10387		APPROVAL		FAUCET ASSY	
.XX ± .03		APPROVAL			
.XXX ± .010		APPROVAL			
DO NOT SCALE THIS DRAWING					
MATERIAL - FINISH		USED ON	SIZE	CODE IDENT. NO.	DRAWING NO.
NEXT ASSY			C	51941	90084
FINAL ASSY			SCALE 1/1	VT.	SHEET 1 OF 1

FLUID MEDIA	TYPE	OPERATING PRESSURE	OPERATING TEMP.	FLOW
POTABLE WATER	NON VENTING	APPROX. 2 LBS @ 15' HEAD FROM GRAVITY FED TANK	35°F TO 225°F	MINIMUM 20 OZ. /MIN @ 70°F AND 2 LB. INLET PRESSURE