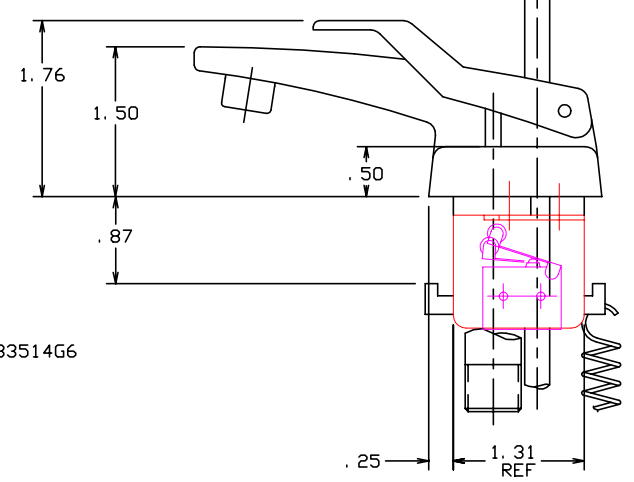
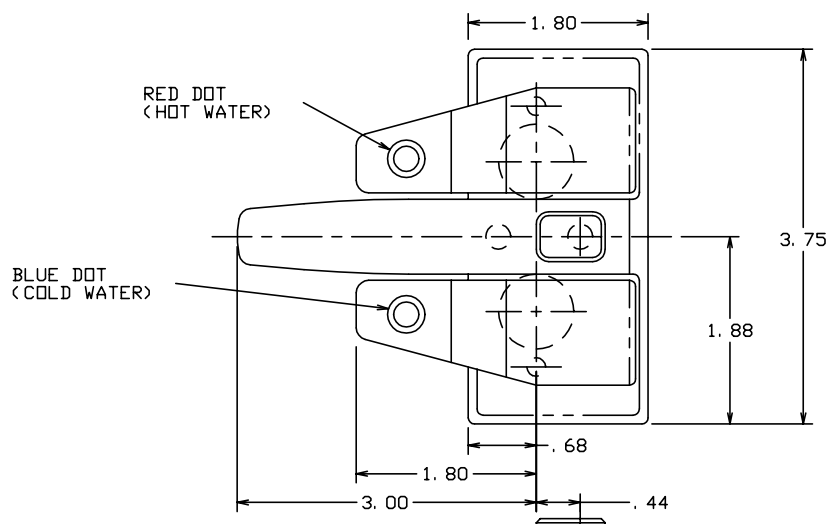
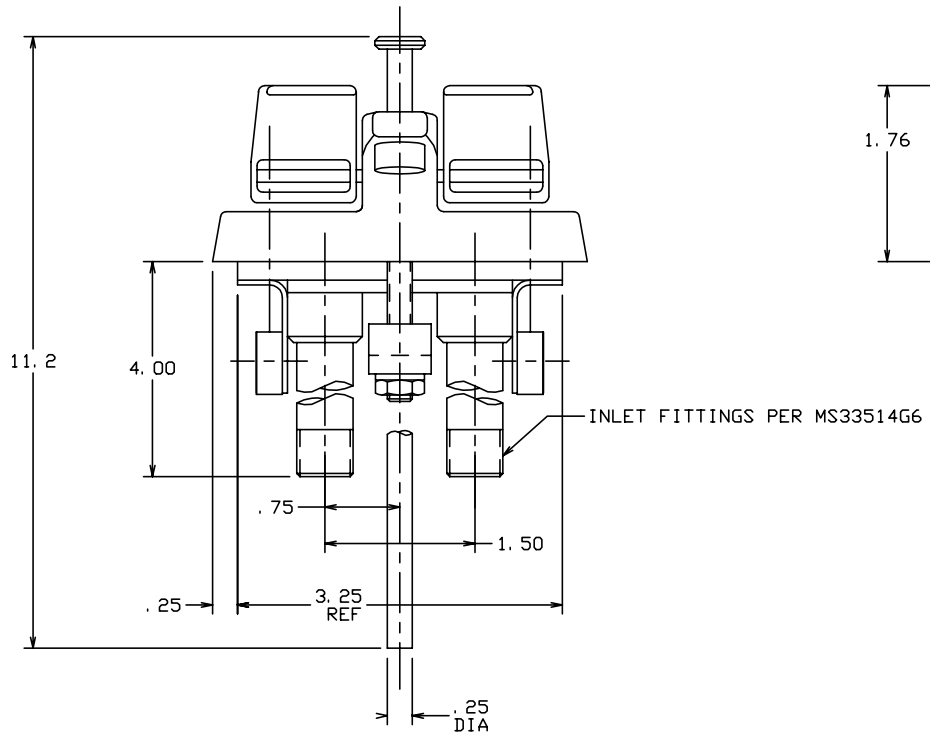
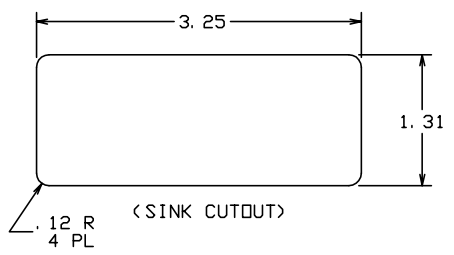


THE INFORMATION AND DESIGN HEREIN WAS ORIGINATED BY AND IS THE PROPERTY OF SKYLOCK INDUSTRIES INCORPORATED. SKYLOCK INDUSTRIES INCORPORATED RESERVES ALL PATENT, PROPRIETARY, DESIGN MANUFACTURING, REPRODUCTION, USE AND SALES RIGHTS THERE TO, AND TO ANY ARTICLE DISCLOSED THEREIN EXCEPT TO THE EXTENT RIGHTS ARE EXPRESSLY GRANTED TO OTHERS. THE FOREGOING DOES NOT APPLY TO VENDOR PROPRIETARY PARTS.

| REVISIONS |     |                     |         |          |
|-----------|-----|---------------------|---------|----------|
| ZONE      | LTR | DESCRIPTION         | DATE    | APPROVED |
|           | P1  | PRELIMINARY RELEASE | 6-23-95 | T. CSIK  |

- GENERAL NOTES: UNLESS OTHERWISE SPECIFIED.
- MAT'L: ALL COMPONENTS; 300 SERIES CRES.
  - FINISH: ALL APPEARANCE SURFACES - SATIN BUFF.
  - ELECTRICAL RATING OF MICROSWITCH: 125-250 VAC, 5 AMP.
  - FUNCTION: MOMENTARY PUSH ON FAUCET HANDLE WILL ACTIVATE SEPERATE PUMP CIRCUIT. THIS FAUCET DOES NOT CONTROL TIMING OR FLOW RATE OF WATER. THIS FAUCET DOES NOT CONTAIN VALVES FOR OPENING OR CLOSING WATER SUPPLY/FLOW.



|                               |          |             |          |         |   |
|-------------------------------|----------|-------------|----------|---------|---|
| -401                          |          | FAUCET ASSY |          |         |   |
| QTY REQD                      | PART NO. | DESCRIPTION | MATERIAL | SIZE    | SPECIFICATION   |
| PARTS LIST                    |          |             |          |         |   |
| UNLESS OTHERWISE SPECIFIED    |          | DRAWN BY    | T. CSIK  | 6-23-95 | SKYLOCK INDUSTRIES INCORPORATED<br>MONROVIA CALIFORNIA U. S. A. |
| DIMENSIONS ARE IN INCHES      |          | CHECKED     |          |         |   |
| TOLERANCES ON                 |          | ENGINEER    |          |         |   |
| DECIMALS ANGLES DRILLED HOLES |          | PROJECT     |          |         |   |
| .X ± .1 ± 0° 30' AND 10387    |          | APPROVAL    |          |         | FAUCET ASSY   |
| .XX ± .03                     |          | APPROVAL    |          |         |   |
| .XXX ± .010                   |          | APPROVAL    |          |         |   |
| DO NOT SCALE THIS DRAWING     |          | USED ON     |          | SIZE    | CODE IDENT. NO. DRAWING NO.                                     |
| MATERIAL - FINISH             |          |             |          | C       | 51941 90086   |
| NEXT ASSY                     |          |             |          | SCALE   | 1/1   |
| FINAL ASSY                    |          |             |          | VT.     | SHEET 1 OF 1  |