

4

3

2

1

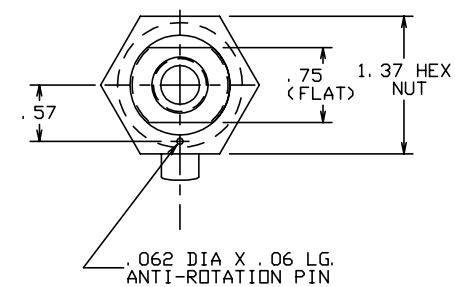
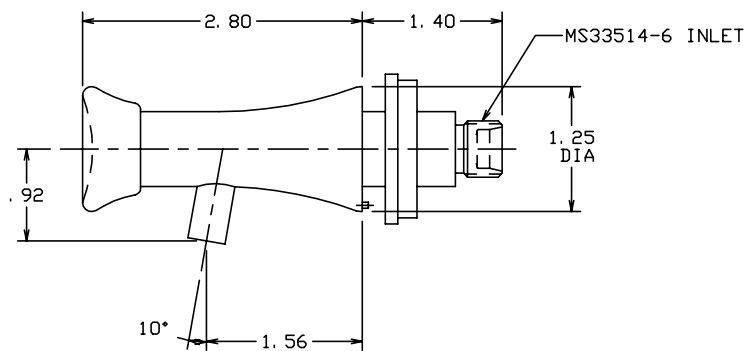
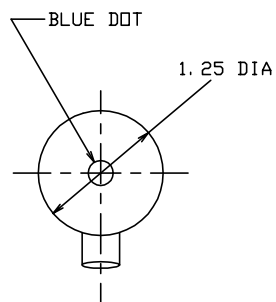
THE INFORMATION AND DESIGN HEREIN WAS ORIGINATED BY AND IS THE PROPERTY OF SKYLOCK INDUSTRIES INCORPORATED. SKYLOCK INDUSTRIES INCORPORATED RESERVES ALL PATENT, PROPRIETARY, DESIGN MANUFACTURING, REPRODUCTION, USE AND SALES RIGHTS THERE TO, AND TO ANY ARTICLE DISCLOSED THEREIN EXCEPT TO THE EXTENT RIGHTS ARE EXPRESSLY GRANTED TO OTHERS. THE FOREGOING DOES NOT APPLY TO VENDOR PROPRIETARY PARTS.


REVISIONS

| ZONE | LTR | DESCRIPTION | DATE | APPROVED |
|------|-----|--------------------|--------|----------|
| | NC | PRODUCTION RELEASE | 4-9-97 | T. CSIK |

NOTES: UNLESS OTHERWISE SPECIFIED.

- MAT'L: SPIGOT BODY, AND BUTTON; BRASS, VALVE ASSY; CRES.
- DECORATIVE FINISH: BRIGHT CHROME PLATE.



| QTY REQD | PART NO. | DESCRIPTION | MATERIAL | SIZE | SPECIFICATION | ITEM NO. |
|-------------------------------|----------|-------------|----------|--------|---|-------------|
| | -401 | SPIGOT ASSY | | | | |
| PARTS LIST | | | | | | |
| UNLESS OTHERWISE SPECIFIED | | DRAWN BY | T. CSIK | 4-9-97 |  SKYLOCK INDUSTRIES INCORPORATED MONROVIA CALIFORNIA U. S. A. | |
| DIMENSIONS ARE IN INCHES | | CHECKED | | | | |
| TOLERANCES ON | | ENGINEER | | | | |
| DECIMALS ANGLES DRILLED HOLES | | PROJECT | | | | |
| .X ± .1 ± 0° 30' AND 10387 | | APPROVAL | T. CSIK | 4-9-97 | SPIGOT ASSY | |
| .XX ± .03 | | | | | | |
| .XXX ± .010 | | | | | | |
| DO NOT SCALE THIS DRAWING | | | APPROVAL | | | |
| MATERIAL - FINISH | | | USED ON | SIZE | CODE IDENT. NO. | DRAWING NO. |
| NEXT ASSY | | | | C | 51941 | 90093 |
| FINAL ASSY | | | | SCALE | 1/1 & NOTED | |
| | | | | | SHEET | 1 OF 1 |

| FLUID MEDIA | TYPE | OPERATING PRESSURE | OPERATING TEMP. | FLOW |
|---------------|-------------------------|--------------------|-----------------|--|
| POTABLE WATER | SELF VENTING & BLEEDING | 0-120 PSIG | 35°F TO 225°F | 100/140 OZ. /MIN. AT 70°F AND 30 P. S. I. INLET PRESSURE |

4

3

2

1