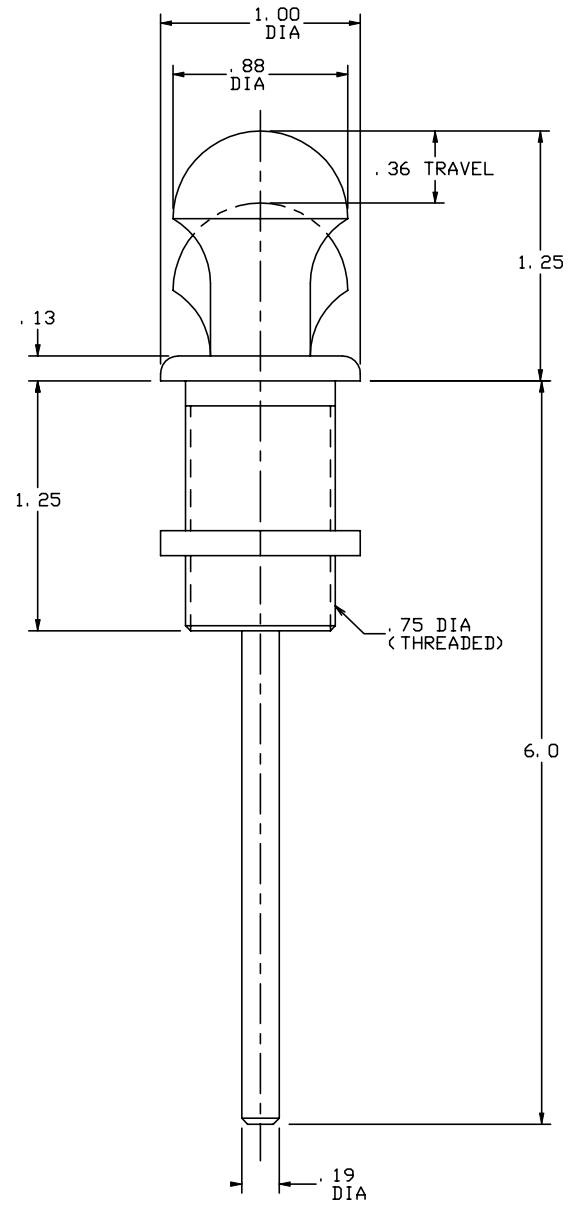



THE INFORMATION AND DESIGN HEREIN WAS ORIGINATED BY AND IS THE PROPERTY OF SKYLOCK INDUSTRIES INCORPORATED. SKYLOCK INDUSTRIES INCORPORATED RESERVES ALL PATENT, PROPRIETARY, DESIGN MANUFACTURING, REPRODUCTION, USE AND SALES RIGHTS THERE TO, AND TO ANY ARTICLE DISCLOSED THEREIN EXCEPT TO THE EXTENT RIGHTS ARE EXPRESSLY GRANTED TO OTHERS. THE FOREGOING DOES NOT APPLY TO VENDOR PROPRIETARY PARTS.

REVISIONS				
ZONE	LTR	DESCRIPTION	DATE	APPROVED
	NC	PRODUCTION RELEASE	8-6-97	T. CSIK

- NOTES: UNLESS OTHERWISE SPECIFIED.
- REMOVE ALL BURRS AND BREAK SHARP CORNERS.
  - MAT'L: BRASS - KNOB, COLLAR, NUT. CRES - PUSH ROD, SPRING.
  - DECORATIVE FINISH: POWDER COAT VISIBLE SURFACES AS DEFINED ON CUSTOMER PURCHASE ORDER. CUSTOMER WILL PROVIDE POWDER COAT MATERIAL, AND DEFINE SOURCE FOR PROCESSING.



-1 DRAIN ACTUATOR			
PART NO.	DESCRIPTION		
PARTS LIST			
UNLESS OTHERWISE SPECIFIED	DRAWN BY T. CSIK	8-6-97	 SKYLOCK INDUSTRIES INCORPORATED MONROVIA CALIFORNIA U. S. A.
DIMENSIONS ARE IN INCHES	CHECKED		
TOLERANCES ON	ENGINEER		
DECIMALS ANGLES DRILLED HOLES	PROJECT		
.X ± .1 ± 0° 30' AND 10387	APPROVAL		
.XX ± .03			
.XXX ± .010			
DO NOT SCALE THIS DRAWING	APPROVAL		DRAIN ACTUATOR
MATERIAL - FINISH	USED ON	SIZE C	CODE IDENT. NO. 51941
NEXT ASSY			DRAWING NO. 90094
FINAL ASSY			REV. NC
		SCALE 1: 1	SHEET 1 OF 1